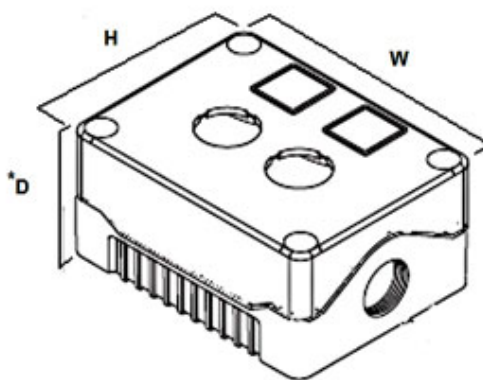


Palm/Foot Switches

Range: Control Stations

Part Number: 1DE.SP.21NR



*Enclosure only except 1DE .SP series where D includes actuator height

DESCRIPTION

Palm/foot switch red button.

CONTROL STATIONS FEATURES

- Customised control station service available - please ask for details.
- Insulation resistance - >100M Ω @ 500VDC
- Enclosures sealed up to IP66
- Dust & waterproof for short-term submersion
- 4 sizes available! Accepting 1-4 push button switches
- 2 contact blocks fitted as standard
- Different voltage ratings are available
- Contact material - Silver Bifurcated and serrated
- Operating Temperature -10 to +65°C
- Contact rating - AC12 Resistive / AC15 Electromagnetic - 240V (3A) / 415V (1.5A)
- Mechanical life - 1 million operations

Features may vary by product throughout the range.

Subject to technical modification without notice.

Typographical and other errors do not justify claim for damages.

SPECIFICATION

Base Colour	Black
Base Style	Standard base
Depth (mm)	102.5
Enclosure Material	ABS-UL94-HB
Height (mm)	85
IP Rating	IP66
Lid Colour	Grey
Min Temperature Rating °C	-10
Max Temperature Rating °C	65
Number of Switches	1
Size (mm)	85x69x102.5
Switch 1 Style	Pushbutton non-illuminated
Switch 1 Substyle	Palm/foot
Width (mm)	69