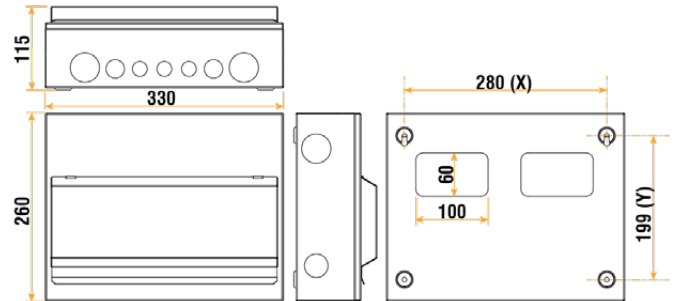


Product Code: CUEHIB14MSRCD8

Description: 14 Way Combination (High Integrity) Metal Consumer Unit with 100A Mains Switch + 2 x 80A 30mA RCD (8 Free Ways)



General Information

Dimensions With Door (mm)	330 (W) x 260 (H) x 115 (D)		
Enclosure Dimensions (mm)	330 (W) x 260 (H) x 92 (D)		
Finish	White (RAL 9003)		
Materials	Enclosure & Cover: Powder Coated Steel DIN Rail: Galvanised Steel		
Rated Operational Voltage (V~) (Ue)	230		
Frequency (Hz)	50/60		
Maximum Rated Current (A) (In)	100		
Free Ways	8		
Total Ways	14		
Device Terminals	Screwed Lug & Pin		
Main Switch Installed	1 x 100A (CU2MS100)		
Main Switch Terminal Capacity (mm ²)	50	Main Switch Terminal Torque (Nm)	2.5
RCD Installed	2 x 80A 30mA RCD (CU2RCD80A)		
RCD Terminal Capacity (mm ²)	25	RCD Terminal Torque (Nm)	2.5
SPD Installed	1 x 40kA SPD (CU2SPD275)		
Blanks Supplied	2 (Product Code: CU1BLANK)		
E&N Terminals	Screw		
E&N Bars Capacity (mm ²)	16	E&N Bars Torque (Nm)	2
Tail Clamp Capacity (mm ²)	25	Tail Clamp Torque (Nm)	1.5
Enclosure Side Knockouts (Ømm)	1 x 32 & 1 x 40		
Enclosure Top & Bottom Knockouts (Ømm)	3 x 20, 2 x 25 & 2 x 40		
Enclosure Rear Knockouts (mm)	2 x 100 x 60		
Impact Rating	IK05		
Ingress Protection	IP20		
Maximum Humidity (%)	95		
Storage Temperature (°C)	-40 to +75		
Operational Temperature (°C)	-5 to +40		
Warranty (Years)	10	Warranty - Devices (Years)	3
Standards	BS EN 61439-3 BS EN 60947-3 BS EN 61008-1		

Additional Information Elucian metal consumer units allow compliance with BS 7671 Wiring Regulations