



## **AERMLED3/120/WW**

Endurance LED TPa UGR<19 Recessed Panel - 1200 x 600 Warm White 60W



## **Features**

LED panel suitable for education, commercial and ancillary area applications

UGR<19 (unified glare rating) compliant luminaire assisting to eliminate glare for visual comfort

Cool white, warm white and daylight options

White anodised aluminium frame for visual compatibility with ceiling grid

Low glare and even light distribution for multiple applications

Surface mounting frame option

Powered by Tridonic

TPa as standard

## General Information

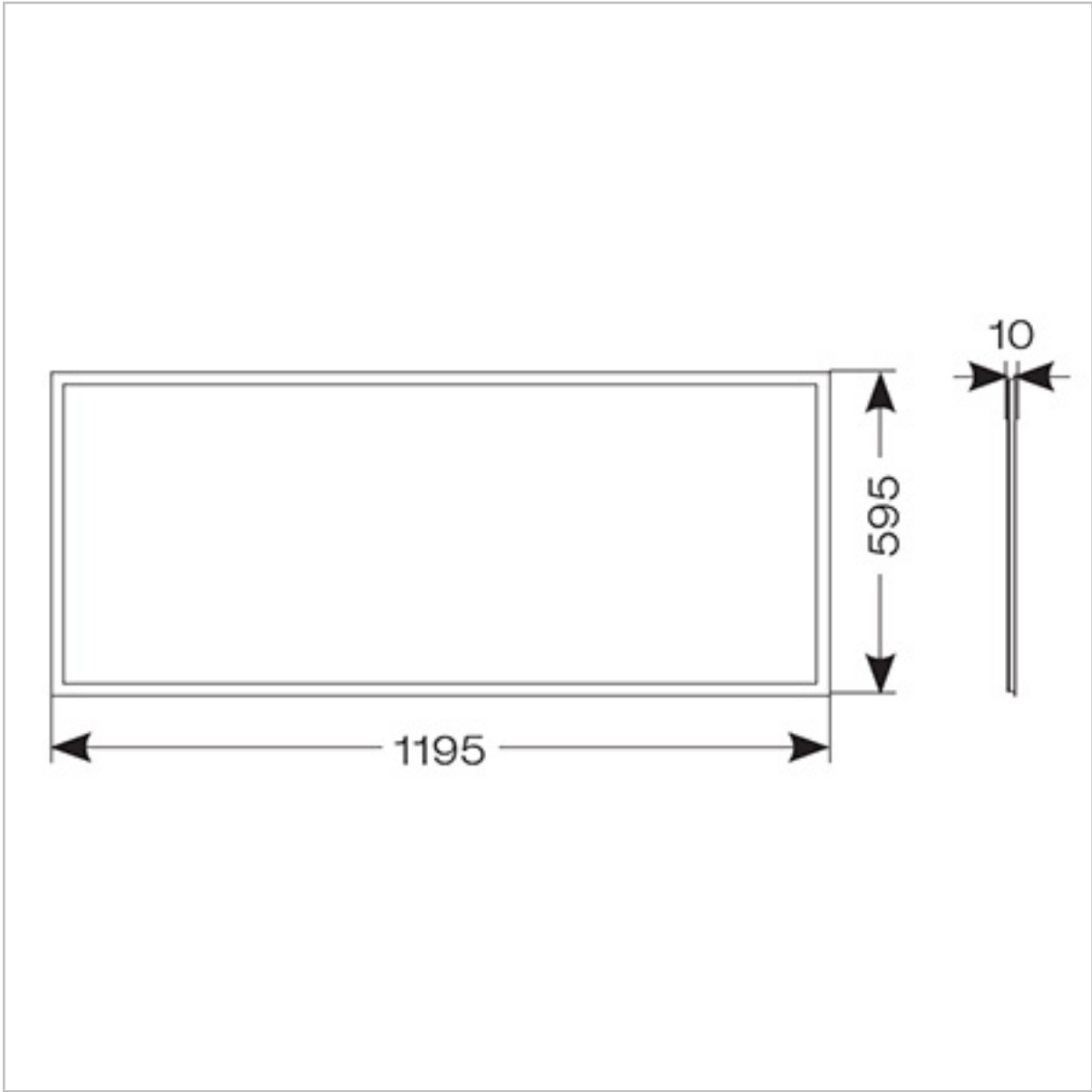
Lamp Type	LED
Colour / Finish	White
IP Rating	IP20
Class Protection	2
Internal / External	Internal
Surface / Recessed / Suspended	Surface/Recessed/Suspended
Lifetime (Hrs)	L80 50,000
Warranty (Years)	5
CE Mark	Yes
Length (mm)	1195
Width (mm)	595
Height (mm)	10
Accessories	AERMLED/120/SMF, APRK/120

# Technical Information

<b>Wattage</b>	60W
<b>Lumens Delivered</b>	5400lm
<b>Lm/W</b>	90lm
<b>Beam Angle</b>	80
<b>CRI</b>	Ra 80
<b>CCT</b>	3000K
<b>Input</b>	220-240V
<b>Hertz</b>	50-60Hz
<b>Operating Temp</b>	-20°C to 40°C
<b>SDCM</b>	6
<b>UGR</b>	17

Datasheet generated from <https://onetimepim.com> last updated Wednesday, June 15, 2022 8:56:19 AM







## **AERMLED3/120/CW**

Endurance LED TPa UGR<19 Recessed Panel - 1200 x 600 Cool White 60W



## **Features**

LED panel suitable for education, commercial and ancillary area applications

UGR<19 (unified glare rating) compliant luminaire assisting to eliminate glare for visual comfort

Cool white, warm white and daylight options

White anodised aluminium frame for visual compatibility with ceiling grid

Low glare and even light distribution for multiple applications

Surface mounting frame option

Powered by Tridonic

TPa as standard

## General Information

---

<b>Lamp Type</b>	LED
<b>Colour / Finish</b>	White
<b>IP Rating</b>	IP20
<b>Class Protection</b>	2
<b>Internal / External</b>	Internal
<b>Surface / Recessed / Suspended</b>	Surface/Recessed/Suspended
<b>Lifetime (Hrs)</b>	L80 50,000
<b>Warranty (Years)</b>	5
<b>CE Mark</b>	Yes
<b>Length (mm)</b>	1195
<b>Width (mm)</b>	595
<b>Height (mm)</b>	10
<b>Accessories</b>	AERMLED/120/SMF, APRK/120

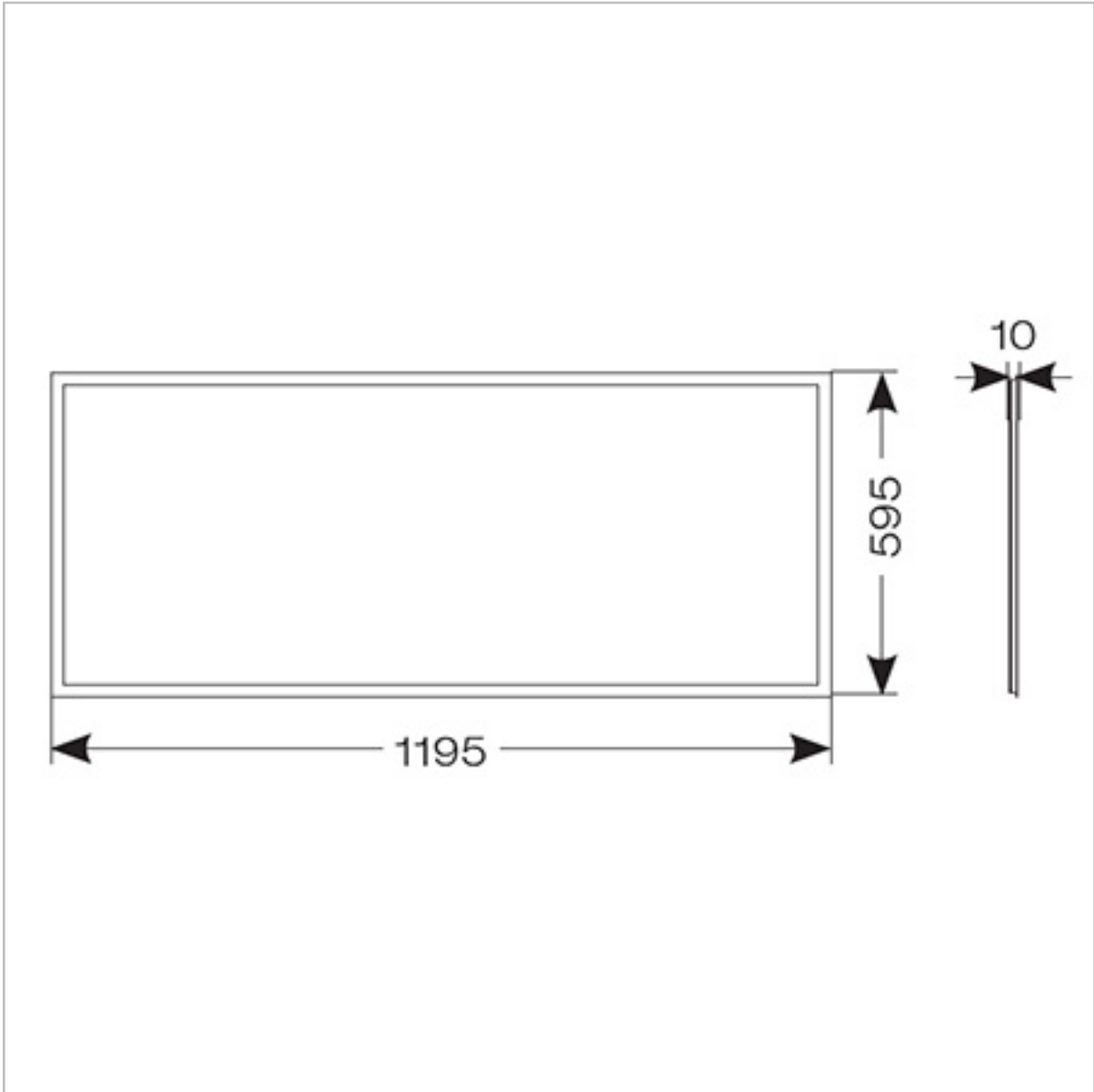
---

# Technical Information

<b>Wattage</b>	60W
<b>Lumens Delivered</b>	5800lm
<b>Lm/W</b>	97lm
<b>Beam Angle</b>	80
<b>CRI</b>	Ra 80
<b>CCT</b>	4000K
<b>Input</b>	220-240V
<b>Hertz</b>	50-60Hz
<b>Operating Temp</b>	-20°C to 40°C
<b>SDCM</b>	6
<b>UGR</b>	17

Datasheet generated from <https://onetimepim.com> last updated Wednesday, June 15, 2022 8:56:19 AM







## **AERMLED3/120/DL**

Endurance LED TPa UGR<19 Recessed Panel - 1200 x 600 Daylight 60W



## **Features**

LED panel suitable for education, commercial and ancillary area applications

UGR<19 (unified glare rating) compliant luminaire assisting to eliminate glare for visual comfort

Cool white, warm white and daylight options

White anodised aluminium frame for visual compatibility with ceiling grid

Low glare and even light distribution for multiple applications

Surface mounting frame option

Powered by Tridonic

TPa as standard

## General Information

Lamp Type	LED
Colour / Finish	White
IP Rating	IP20
Class Protection	2
Internal / External	Internal
Surface / Recessed / Suspended	Surface/Recessed/Suspended
Lifetime (Hrs)	L80 50,000
Warranty (Years)	5
CE Mark	Yes
Length (mm)	1195
Width (mm)	595
Height (mm)	10
Accessories	AERMLED/120/SMF, APRK/120

# Technical Information

<b>Wattage</b>	60W
<b>Lumens Delivered</b>	5400lm
<b>Lm/W</b>	90lm
<b>Beam Angle</b>	80
<b>CRI</b>	Ra 80
<b>CCT</b>	6000K
<b>Input</b>	220-240V
<b>Hertz</b>	50-60Hz
<b>Operating Temp</b>	-20°C to 40°C
<b>SDCM</b>	6
<b>UGR</b>	17

Datasheet generated from <https://onetimepim.com> last updated Wednesday, June 15, 2022 8:56:19 AM



