



Product Instruction Manual

# ARC



**ARCW (white) & ARCBSS (brushed stainless steel)**

1.25kW Automatic Hand Dryer

Thank you for purchasing a Hyco Arc hand dryer. Please ensure you read and understand these instructions to ensure safe installation and operation.

The arc is a high speed, automatic hand dryer that is suitable for a variety of public washroom applications. High performance quality gives fast dry times and low sound levels which improve user experience. A compact, durable stainless steel cover and intelligent temperature control increase the efficiency, reliability and longevity of this hand dryer.

#### Key features

- 1.25kW
- Integral air filter
- Intelligent temperature control
- UV sterilisation technology
- Stable and durable stainless steel cover
- White / brushed stainless steel finish available

## 1. Important safety points



If the supply cord is damaged it must be replaced by the manufacturer, its service agent or similarly qualified person in order to avoid electrocution hazard.



Do not proceed with installation if there is any sign of damage to the product.



The product should only be connected to a supply that meets the specifications detailed on the rating label.



Electrical installation must be carried out by a qualified electrician in accordance with the latest edition of the IEE wiring regulations.



The appliance is not intended for use by persons (including young children) with reduced physical, sensory or mental capabilities, or lack of experience and knowledge, unless they have been given supervision or instruction concerning the safe use of the appliance by a person responsible for their safety.



Children should be supervised to ensure they do not play with the appliance.



The appliance must be earthed.



The appliance is intended for drying hands only; it should not be used for any other purpose.

## 2. Installation

To avoid malfunction do not install the appliance in the following:



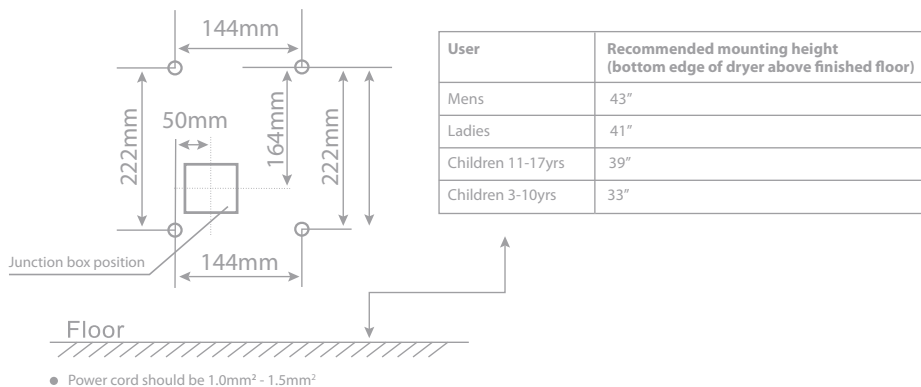
Temperatures below  $-10^{\circ}\text{C}$  or above  $40^{\circ}\text{C}$ .



Locations exposed to direct sunlight or strong light.

- When selecting a suitable location and surface for installation of the dryer, consider the following:
  - Water droplets will be blown from the hands and may land on surrounding surfaces.
  - Access for doors and people.
  - There should be no shelves or other obstacles directly beneath the dryer.
  - Height of dryer positioning based on likely users (see figure 1)
- Using the dimensions supplied in figure 1 and ensuring a horizontal level, mark out the four holes at each corner for mounting the dryer onto the desired surface. If required, the junction box should also be planned and provided for at this stage.

figure 1



- Drill the 4 x holes in each corner as shown and insert the wall plugs.



Always ensure no concealed electrical wiring or pipework prior to drilling into the surface.

- Remove the dryer cover via the 2 x counter sunk screws and 2 x serrated washers, located at opposite sides of the cover (Allen key tool provided).
- Before mounting the dryer to the surface, make provision for the wiring. For concealed wiring via a junction box, it is necessary to knock out the provided circle in the back plate (located at the lower left corner of the dryer). Ensure not to leave rough or sharp edges as this could cause damage to the supply cable.
- Offer the dryer to the four holes, insert the screws and tighten fully.



Always isolate the power supply before any electrical work or wiring of the dryer.


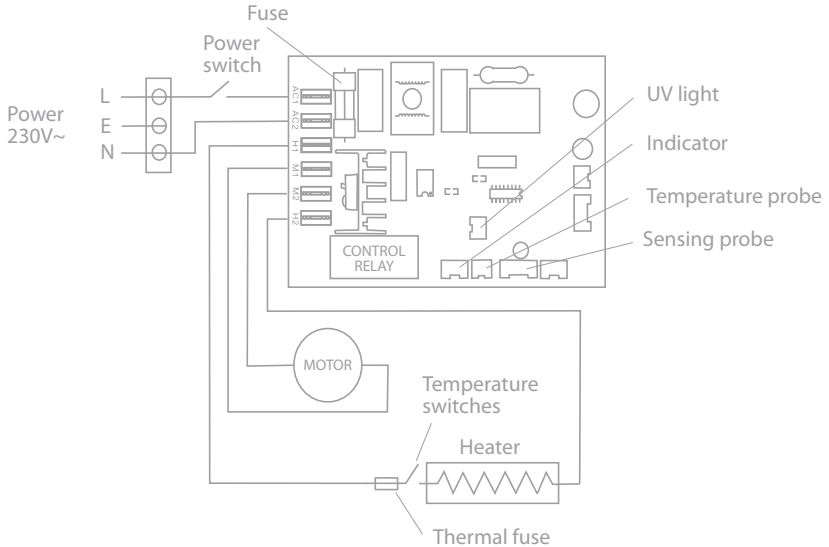
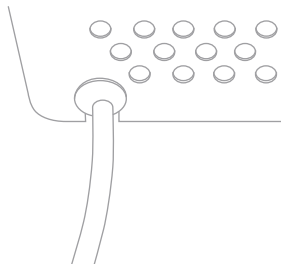
- Connection should be made to the fixed wiring of the property via a double pole switched fused spur.
- Electrical connections should be made as follows:  
Green/Yellow earth wire to the terminal marked "E" or   
Brown/Red live wire to the terminal marked "L"  
Blue/Black neutral wire to the terminal marked "N"

figure 2

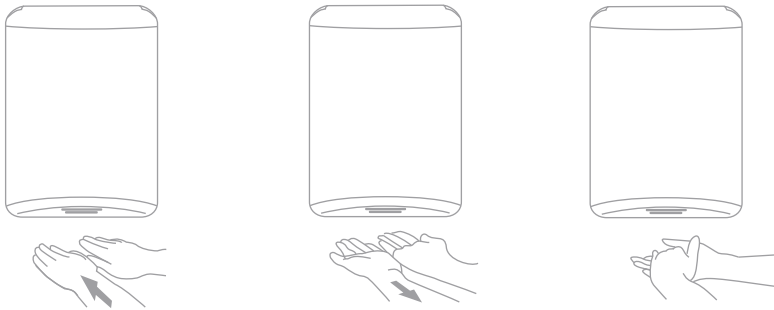


- Ensure the supply cord is well secured to the dryer using the provided cable clamp.
- Ensure the internal power switch is set to the "ON" position.
- Refit the dryer cover using the 2 x counter sink bolts and serrated washers. When opting for surface mount wiring, the provided protective grommet must be fitted and positioned correctly to protect the supply cord from becoming damaged where it contacts the cover (see figure 3).
- Turn on the power supply to complete installation.

figure 3



### 3. Operation



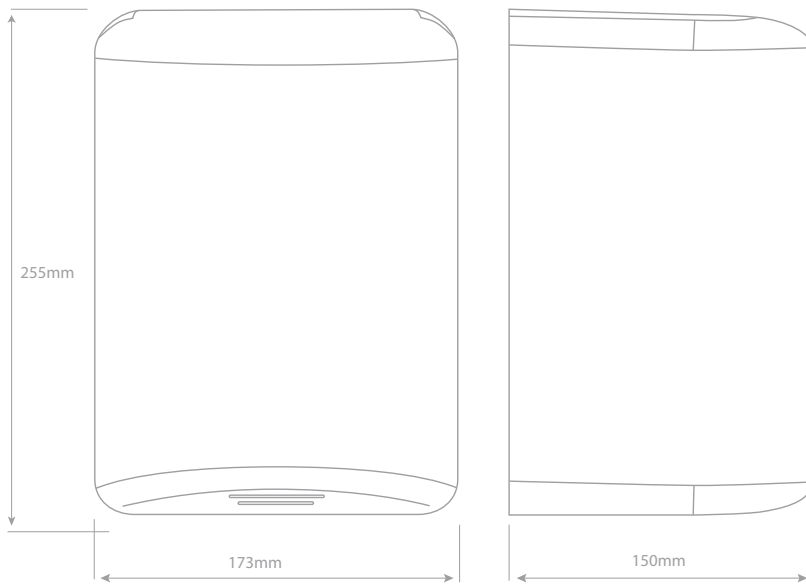
- Shake off excess water from washed hands.
- Place hands under the hand dryer to initiate air flow.
- Slowly move hands under the air flow.
- Turn over hands and repeat.
- Rub hands together until sufficiently dry.
- Remove hands and airflow will stop.

### 4. Maintenance

- Isolate the appliance from the power supply via the fused spur or similar device.
- Remove any dust or debris from the inlet holes.
- Wipe the exterior with a soft damp cloth.
- Do not use abrasive chemicals on the dryer, damage to the finish may result.
- To clean the filters, rinse with clean water and allow to dry before replacing.

## 5. Specifications

	ARCW	ARCBSS
<b>Voltage</b>	230V~	230V~
<b>Power</b>	1250 watts	1250 watts
<b>IP Rating</b>	IPX1	IPX1
<b>Finish</b>	White	Brushed stainless steel
<b>Weight</b>	3.2kg	3.2kg





INFORMATION FOR CORRECT DISPOSAL OF THE PRODUCT IN ACCORDANCE WITH THE EUROPEAN DIRECTIVE 2002/96/E.

At the end of its working life this equipment must not be disposed of as household waste. It must be taken to a local authority waste collection centre or to a dealer providing this service. Disposing of electrical and electronic equipment separately enables its components to be recovered and recycled to obtain significant savings in energy and resources. In order to underline the duty to dispose of this equipment separately, the product is marked with a crossed out dustbin.

## 6. Guarantee and service policy

This product is covered by a standard parts or replacement warranty for a period of three years from the date of purchase.

If there is a manufacturing defect within the warranty period we will send spare parts, repair and return the unit or, at our discretion, supply a replacement product.

Incorrect installation and failure to follow correct operating instructions are excluded. Consequential costs such as labour charges or damage to surroundings are expressly excluded.

### Contact us

If you experience a problem with this product you should first contact our service department on 01924 225 200 before taking any further action.

Experience has shown that issues can often be resolved without the need to return or uninstall the product.

Hyco Manufacturing Ltd  
Normandy Court  
Express Way  
Castleford, WF10 5NR

T 01924 225 200  
F 01924 225 210  
E [sales@hyco.co.uk](mailto:sales@hyco.co.uk)



[hyco.co.uk](http://hyco.co.uk)