



**Product Description:** mPro™ Baffle IP65 Dimmable Fire Rated Downlight

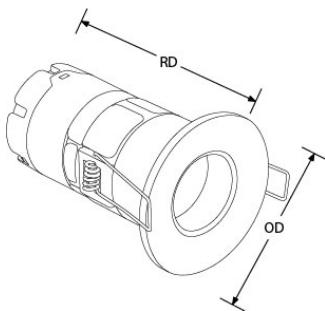
Fixed, integrated, baffled fire rated 6W LED downlight with unique convertible design to fit shallow ceiling voids. Incorporated miniaturised NanoDrive™ power supply. Available in 2700K, 3000K and 4000K, mPro™ delivers up to 107lm/W making it the most efficient fire rated downlight on the market. Interchangeable bezels available in White, Matt White, Polished Chrome and Satin Nickel. FastRFix™ rapid install system connector included for faster installation.  
PLEASE NOTE: Any purchases before 01/01/2021 has a 5 Year Warranty

SKU Code	Wattage	Colour	Lumens	Lumens/Watt	Beam Angle	SKU Type
AU-MPR05A/30	6	3000	480	80	40	Triac Dimmable
AU-MPR05A/40	6	4000	500	84	40	Triac Dimmable

**Line Drawing**

**Polar Curve**

**Colour**



## Product Features:

- LEDchroic™ lens provides halogen appearance with LED efficiency, anti-glare and precise beam control
- Convertible design to fit ceiling voids as shallow as 50mm
- Delivering up to 107lm/W
- FastRFix™ rapid install system connector included
- 60° beam angle for uniform light distribution
- Fibre based insulation coverable - up to 300mm
- Fire tested with solid timber, joist and metal web joists
- 7 Year Warranty
- PLEASE NOTE: When used with blown insulation, this product has a 5 Year Warranty at L70 40,000hrs
- PLEASE NOTE: Purchases before 2021 have a 5 Year Warranty

## Product Specs:

Input Voltage	220~240V AC	Input Frequency	50/50HZ
Power Factor	0.85	IP Rating	IP65
Lifetime L70 (hrs)	70000	Overall Diameter (mm)	88
Weight (Kg)	0.384	Height (mm)	120
Product Type	Downlights, Fire-Rated Downlight	Cutout Diameter (mm)	65-72
Operating Temp. (Min) °C	-20°C	Operating Temp. (Max) °C	45°C

## Compliance & Approvals:



## Warranty:

This product has a warranty period of 7 Years. Warranties may be available on certain products as indicated in the product description. Warranties are valid from the date of purchase. The warranty is invalid in the case of improper use, installation, tampering, removal of the Q.C. date label or installation in an improper working environment or installation. Should this product fail during the warranty period it will be replaced free of charge, subject to the correct installation of the original product and subsequent return of the faulty unit. Aurora does not accept responsibility for any installation costs associated with the replacement of this product and Aurora reserves the right to alter specifications without prior notice.