

Technical Specification



Application Examples:

- Suitable for Domestic & Commercial Installations
- Indoor / Outdoor Use (Suitable Fittings)
- Task Lighting
- Directional Light Source
- Direct Halogen Replacement
- Warm White & Cool White Options
- Suitable for Use in FlameGuard Downlighters

Typical Installations:

- Spot Lights
- Track Lighting
- Walk Over Lighting
- Garden Lighting
- Commercial Uses :
Retail, Restaurants, Lobby / Reception areas,
Hospitality Areas, Corridors

Features

Instant Switch-On Time
GU10 Lamp Base
Compact Length
Mercury Free
25,000 Hour Lifetime
5W Nominal Wattage
Cool Running
230V~ Mains Powered

Benefits

Suitable For Use With Motion Sensors
Replacement For Halogen GU10 Lamps
True Retro-fit Length
50W Halogen Alternative
Long Lamp Life
Low Energy Consumption
Suitable For Low Level Installations
No LED Driver Required

V1.0

Scolmore International Ltd, 1 Scolmore Park, Landsberg, Lichfield Road Ind. Estate, Tamworth, Staffordshire, B79 7XB

Telephone: 01827 63454

E-mail: sales@scolmore.com, technical@scolmore.com

Facsimile: 01827 63362

Website: www.scolmore.com

Technical Specification

Technical Specification

Product Code	OVLA1007W5D	OVLA1008C5D	
Description	5W GU10 Glass LED Warm White Dimmable SMD	5W GU10 Glass LED Cool White Dimmable SMD	
ELECTRICAL DATA	Nominal Wattage (W)	5W	5W
	Voltage (V)	220-240V	220-240V
	Input Current (mA)	35	35
	Input Frequency (Hz)	50/60 Hz	50/60 Hz
	Equivalent Lamp Wattage	50W	50W
	Lamp Power Factor	>0.7	>0.7
	Efficacy (lm/W)	78	84
	Optimal Operating Condition (° C)	-20° to +45°C	-20° to +45°C
PHOTOMETRIC DATA	Luminous Intensity (cd)	650	650
	Luminous Flux (lm)	345 lm	380 lm
	Colour Temperature (K)	2700 K	4000 K
	Colour Consistency	6 SCDM	6 SCDM
	Colour Rendering (Ra)	>80	>80
	Light Colour	Warm White	Cool White
LIGHT DATA	LED Quantity	5	5
	Beam Angle	36°	36°
	Starting Time	< 500 ms	< 500 ms
	Warm Up Time	Instant (< 1 s)	Instant (< 1 s)
LIFETIME	Lamp Life Time (h)	25,000 hours	25,000 hours
	Number of Switching Cycles	50,000	50,000
	LLMF	>0.7	>0.7
PHYSICAL DATA	Dimmable (Yes/No)	No	No
	Length (mm)	54 mm	54 mm
	Diameter (mm)	50 mm	50 mm
	Weight (Kg)	Kg	Kg
ADDITIONAL INFORMATION	Lamp Source and Type	SMD LED	SMD LED
	Lamp Base	GU10	GU10
	Lamp Shape	PAR16	PAR16
	Mercury Free	Yes	Yes
	Warranty	2 Years	2 Years

Errors & Omissions excluded. Specification is subject to change without notice.

V1.0

Scolmore International Ltd, 1 Scolmore Park, Landsberg, Lichfield Road Ind. Estate, Tamworth, Staffordshire, B79 7XB

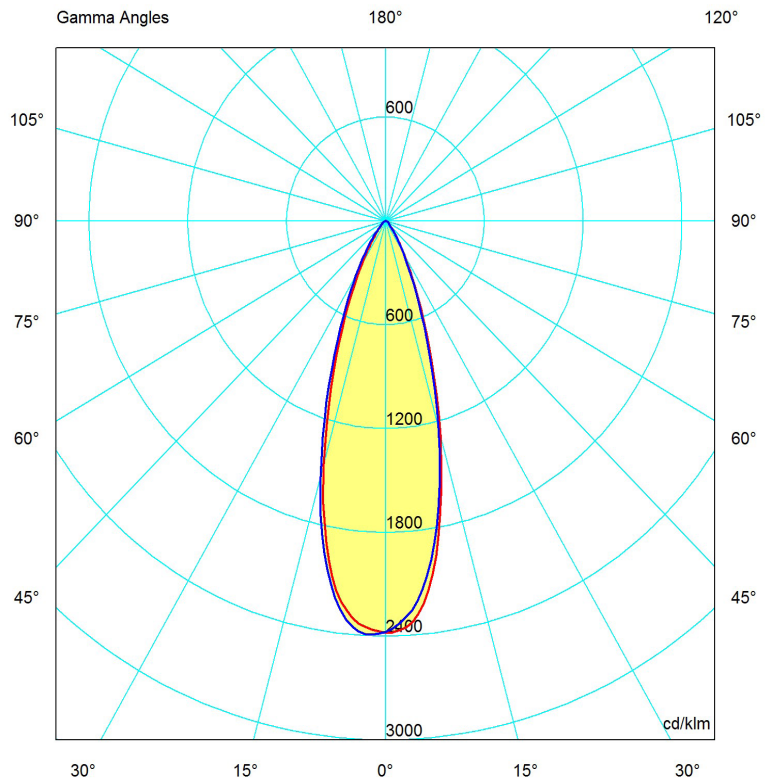
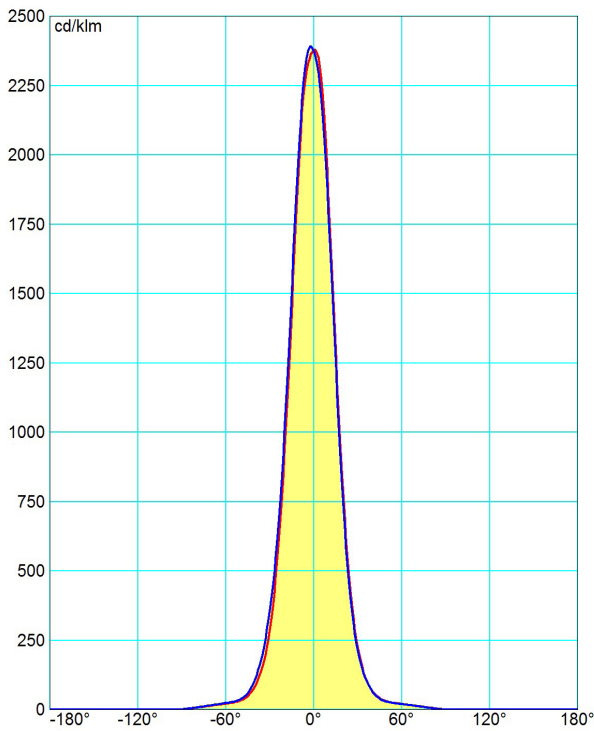
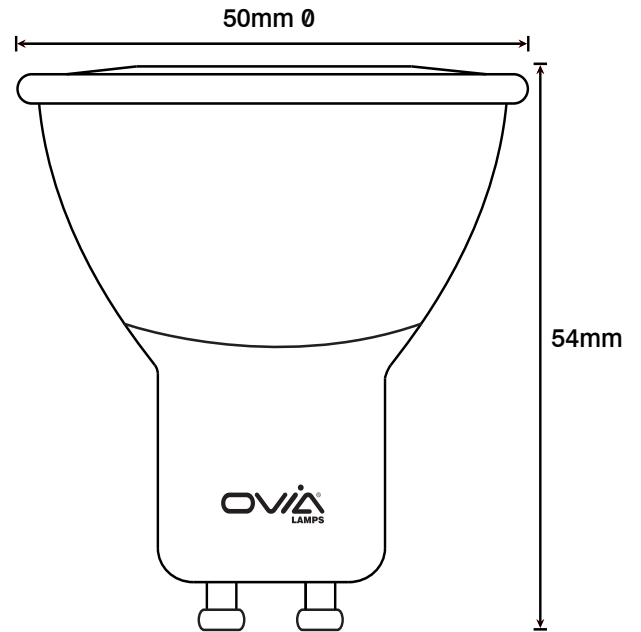
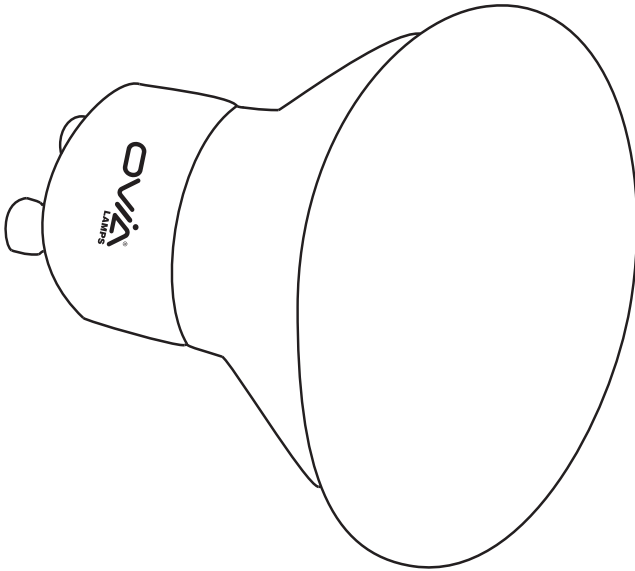
Telephone: 01827 63454

E-mail: sales@scolmore.com, technical@scolmore.com

Facsimile: 01827 63362

Website: www.scolmore.com

Technical Specification



V1.0



EU DECLARATION OF CONFORMITY

1. *Issuer Name* Scolmore International Limited
2. *Issuer Address* 1 Scolmore Park, Landsberg,
Lichfield Road Industrial Estate,
Tamworth, Staffordshire, B79 7XB
3. *Object(s) of Declaration* Ovia Lamps Range
- a. *Group* GU10 LED Lamps
- b. *Model(s) No.* OVLA1005W4, OLVA1006C4, OVLA1007W5D, OVLA1008C5D
4. *The object of the declaration described above is in conformity with the requirements of the following Legislations:*

Document No	Title
2014/30/EC	EMC Directive
2014/35/EC	Low Voltage Directive
2009/125/EC	ErP Directive
2011/65/EU	RoHS Directive
1907/2006/EC	Reach Regulations

5. *All products contained within the aforementioned comply with the relevant standards and requirements listed below.*
- EN 62560: 2012, EN 62471: 2008, EN 62493: 2010
EN 55015: 2006/ A2 :2009, EN 55015: 2013, EN 61547: 2009
EN 61000-3-2: 2006 + A1 + A2, EN 61000-3-3: 2008, EN 61000-3-3: 2013
6. *I hereby declare that the equipment named above has been designed to comply with the relevant sections of the above referenced specifications. The unit complies with all applicable Essential Requirements of the Directives.*

In conjunction with the above all manufacture and process controls are in accordance with ISO 9001:2015.

This declaration has been issued under the sole responsibility of the manufacturer, signed at, for and on behalf of: Scolmore International Limited

Karl Rawlins – Senior Technical Support Engineer