

JC010010/NB

Fireguard Next Generation Downlight

Fireguard Next Generation Mains Twist and Lock Can Only IP20/IP65 No Bezel



Features & Benefits

- Slim profile, die-cast aluminium bezels
- Designed specifically for LED lamps
- Ultra fast press fit loop-in/loop-out terminal
- Tested for use in fire-rated ceilings
- IP20 rated (IP65 variant available)
- IP20 Tilt variant available
- Complies with 2014 building regulations: Part B, C and E



CLASS I



NOT SUPPLIED



WARRANTY



RATING



RATING

General Information

Product Group

Product Range

Trade Name

Product Shape

Additional Information

Mounting

Product Weight

Color Finish

Overall Dimensions

Recommended Product Location

Minimum Void Requirement

Method Of Fix

Product Aperture Size

IP Rating

Environment

Suitable For Zones

Lamp Supplied

Fire-rated downlights

Fireguard® Next Generation

Fireguard®

Round

Bezel options:JC010013/BN -IP20, JC010013/CH -IP20,

JC010013/WH-IP20 , JC010013/BL -IP20, JC010019/BN -IP65,

JC010019/CH -IP65, JC010019/WH -IP65

Recessed

0.205kg

White

108.7 x 87 mm

indoor use only

150mm

Spring clips

74mm

IP20

Indoor

Outside Zone 2

No

Diffuser / Shade Dimensions (mm)	87
Distance From Lighted Object	0.3m
Duration of Fire protection (Mins)	Tested for use in fire-rated ceilings. Full information and up-to-date fire testing certificates for ceiling system types are available on JCC.CO.UK
Origin of manufacturer	Made in China
Warranty	2 year standard warranty (See Website for terms and conditions)
Lighting Product Type 1	Fired Rated Downlights

Electrical

Voltage Rating	220-240
Operating Frequency Hz	50/60Hz
Luminaire Circuit Wattage	7W LED Max
Class	Class I, earth required
Input Electrical Connections	Live(Brown)Neutral(blue)Earth(yellow/green) - Loop in/Loop out press fit terminal
Dimmable	Check with lamp manufacturer
Lampholder	GU10 cap

Thermals

Room Ambient Temperature	25°C
Insulation Coverage	see instruction sheet
Minimum Void Requirement	150mm

Performance Data

Energy Rating	This luminaire is compatible with bulbs of the energy class A+ to E
---------------	--

Construction

Rim Or Attachment	Die-cast aluminium
-------------------	---------------------------

Packaging

Product Packaged Weight	0.236kg
Quantity Per Outer Carton	20
Outer carton(L)- cm	47
Outer carton(W)- cm	21.5
Outer carton(H)- cm	22.5
Outer carton overall dimensions	47 x 21.5 x 22.5cm
Outer carton Net weight- kg	4.72kg
Outer carton Gross weight- kg	5.52kg
Product Bar Code EAN-13 Number	5052544105791

Standards & Approvals

Manufactured In Accordance To

CE Marked

Date code/Purchase order No.

WEEE Symbol

Certificate Of Conformity

Accredited Members

BS EN 60598-2-1, 2-2

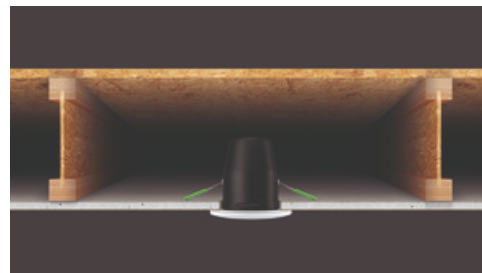
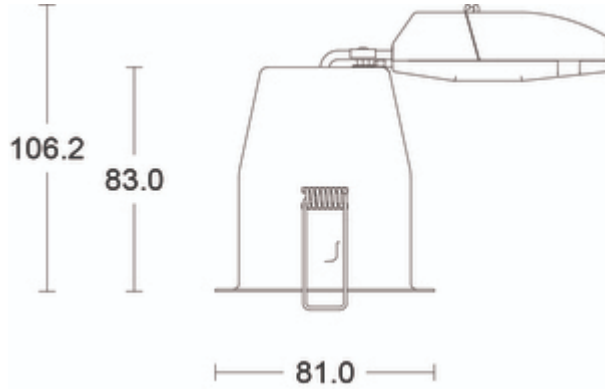
Yes

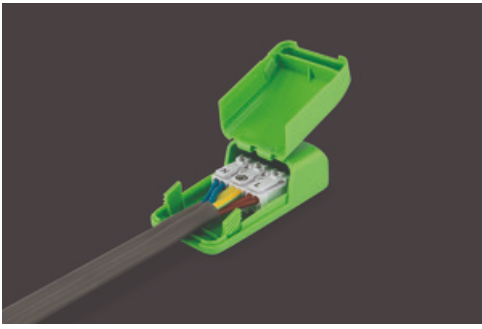
Yes

yes

Available on request

LIA, ISO9001:2015, ISO14001:2015





JCC Lighting LTD Innovation Centre, Beeding Close, Southern Cross Trading Estate, Bognor Regis, West Sussex PO22 9TS
Sales: 01243 838999 (8am to 5pm Monday to Friday) Fax: 01243 838998 | sales@jcc.co.uk | www.jcc.co.uk
Company Registration Number: 03044848 | VAT Number: 918544112

This document is uncontrolled if printed, all information is subject to change

Version 45 [19 Oct 2020]