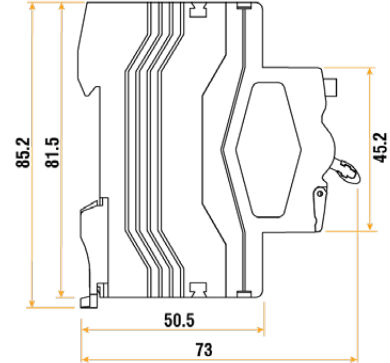


Product Code: CU2RCDTD63A

Description: 2 Pole 63A 100mA Time Delay RCD



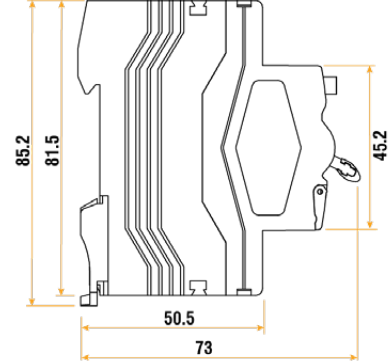
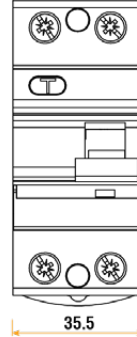
**General Information**

<b>Dimensions (mm)</b>	35.5 (W) x 85.2 (H) x 73 (D)	
<b>Finish</b>	Light Grey (RAL 7035)	
<b>Frequency (Hz)</b>	50/60	
<b>Maximum Rated Current (A) (In)</b>	63	
<b>Impulse Withstand Voltage (Uimp)</b>	4000	
<b>Type</b>	S	
<b>Rated Making &amp; Breaking Capacity (A) (Im)</b>	630	
<b>Tripping Current (mA) (in)</b>	100	
<b>Residual Non-Operating Current (IΔn)</b>	0.5	
<b>Endurance Operations</b>	2000 'ON' & 1000 'OFF' Cycles	
<b>Trip Type</b>	Electro-Magnetic Release	
<b>Device Terminals</b>	Screwed Lug & Pin	
<b>RCD Terminal Capacity (mm²)</b>	16	<b>RCD Terminal Torque (Nm)</b> 2.5
<b>Number Of Poles</b>	2 (1+N)	
<b>Ingress Protection</b>	IP20	
<b>Operational Temperature (°C)</b>	-25 to +40	
<b>Warranty (Years)</b>	3	
<b>Standards</b>	BS EN 61008-1	

**Additional Information** For cleaning / polishing of products, use only a soft, dry, clean cloth.

Product Code: CU2RCDTD80A

Description: 2 Pole 80A 100mA Time Delay RCD



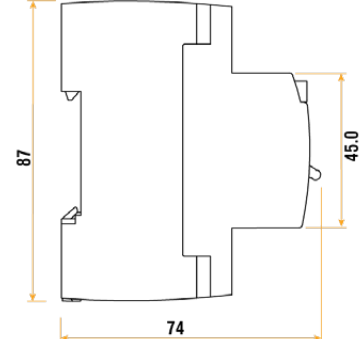
**General Information**

<b>Dimensions (mm)</b>	35.5 (W) x 85.2 (H) x 73 (D)	
<b>Finish</b>	Light Grey (RAL 7035)	
<b>Frequency (Hz)</b>	50/60	
<b>Maximum Rated Current (A) (In)</b>	80	
<b>Impulse Withstand Voltage (Uimp)</b>	4000	
<b>Type</b>	S	
<b>Rated Making &amp; Breaking Capacity (A) (Im)</b>	800	
<b>Tripping Current (mA) (in)</b>	100	
<b>Residual Non-Operating Current (IΔn)</b>	0.5	
<b>Endurance Operations</b>	2000 'ON' & 1000 'OFF' Cycles	
<b>Trip Type</b>	Electro-Magnetic Release	
<b>Device Terminals</b>	Screwed Lug & Pin	
<b>RCD Terminal Capacity (mm²)</b>	25	<b>RCD Terminal Torque (Nm)</b> 2.5
<b>Number Of Poles</b>	2 (1+N)	
<b>Ingress Protection</b>	IP20	
<b>Operational Temperature (°C)</b>	-25 to +40	
<b>Warranty (Years)</b>	3	
<b>Standards</b>	BS EN 61008-1	

**Additional Information** For cleaning / polishing of products, use only a soft, dry, clean cloth.

Product Code: CU2RCDD100A

Description: 2 Pole 100A 100mA Time Delay RCD



### General Information

Dimensions (mm)	35.6 (W) x 87 (H) x 74 (D)	
Finish	Light Grey (RAL 7035)	
Frequency (Hz)	50/60	
Maximum Rated Current (A) (In)	100	
Impulse Withstand Voltage (Uimp)	4000	
Type	S	
Rated Making & Breaking Capacity (A) (Im)	1000	
Tripping Current (mA) (in)	100	
Residual Non-Operating Current (IΔn)	0.5	
Endurance Operations	2000 'ON' & 1000 'OFF' Cycles	
Trip Type	Electro-Magnetic Release	
Device Terminals	Screwed Lug & Pin	
RCD Terminal Capacity (mm <sup>2</sup> )	35	RCD Terminal Torque (Nm) 2.5
Number Of Poles	2 (1+N)	
Ingress Protection	IP20	
Operational Temperature (°C)	-25 to +40	
Warranty (Years)	3	
Standards	BS EN 61008-1	

**Additional Information** For cleaning / polishing of products, use only a soft, dry, clean cloth.