

JC010027/BLK

## Fireguard Next Generation Accessories

Fireguard Next Generation Anti-Glare Bezel IP20 Black

### Features & Benefits

- Slim profile, die-cast aluminium bezels
- Designed specifically for use with Fireguard Next Generation Standard Can(JC010010/NB) and with LED lamps
- Reduces glare, ideal for application where soft ambient light is required
- IP20/IP65 options
- 2 year standard warranty (See Website for terms and conditions)



**Fireguard.**  
NEXT GENERATION

### General Information

Trade Name	<b>Fireguard®</b>
Product Group	<b>LED - Replacement Bezel</b>
Color Finish	<b>Black</b>
Product Range	<b>Fireguard® Next Generation</b>
Overall Dimensions	<b>4.5 x 86</b>
Height (mm)	<b>4.5</b>
Diameter (mm)	<b>86</b>
Product Weight(kg)	<b>0.053</b>
IP Rating	<b>IP20</b>
Origin of manufacturer	<b>Made In China</b>
Warranty	<b>2 year standard warranty (See Website for terms and conditions)</b>
Lighting Product Type 1	<b>Accessory</b>
Customs Tariff code**	<b>9405990090</b>

### Construction

Rim or Attachment	<b>Die-cast Aluminium</b>
-------------------	---------------------------

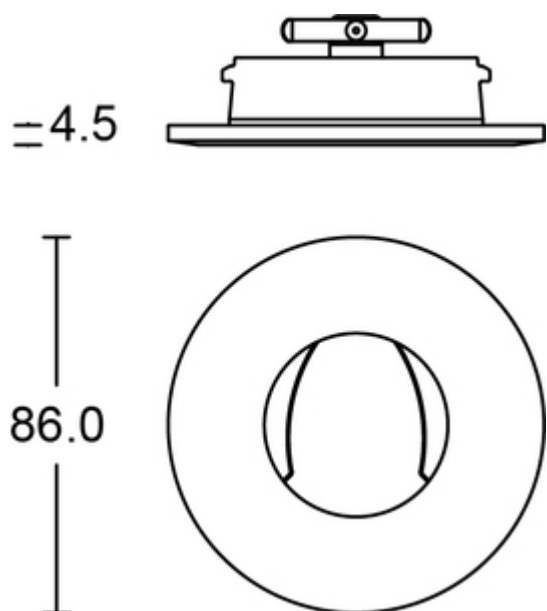
### Packaging

Quantity Per Outer Carton	<b>200</b>
---------------------------	------------

Outer carton(L)- cm	53
Outer carton(W)- cm	46
Outer carton(H)- cm	20
Outer carton Net weight- kg	11.40
Outer carton Gross weight- kg	12.40
Product Bar Code EAN-13 Number	5052544110467
Outer carton Bar Code ITF-14 Number	15052544110464

## Standards & Approvals

Manufactured in accordance to	<b>BS EN 60598:2015, 2-1</b>
CE Marked	<b>Yes</b>
UKCA Marked	<b>Yes</b>
Date code/Purchase order No.	<b>Yes</b>
Certificate Of Conformity	<b>Available on request</b>
Accredited Members	<b>LIA, ISO9001-2015, ISO14001-2015</b>



\*\*JCC Lighting Limited makes every effort to ensure that the Customs Tariff information in this document is timely and accurate. However, it's not possible for us to assure the absolute veracity and completeness of that information, as errors may occur. The placement of any inaccurate tariff information is completely unintentional. JCC Lighting Limited reserves the right, in its sole discretion, to correct any errors or omissions to the tariff code and to make any and all changes contained in this document at any time and without notice. It is the sole responsibility of the importer to ensure that the commodity code advised is correct for the products/goods being supplied by JCC Lighting Limited. JCC Lighting Limited does not assume any liabilities, losses, costs, and expenses arising out of or related to the importers use of this commodity code or the information related to the import of any JCC Lighting products.

---

JCC Lighting LTD, Lux Park, Chichester Business Park, City Fields Way, Tangmere, Chichester, West Sussex, PO20 2FT.  
 Sales: 01243 838999 (8am to 5pm Monday to Friday) Fax: 01243 838998 | [sales@jcc.co.uk](mailto:sales@jcc.co.uk) | [www.jcc.co.uk](http://www.jcc.co.uk)  
 Company Registration Number: 03044848 | VAT Number: 918544112

This document is uncontrolled if printed, all information is subject to change

Version 128 [26/09/2024]