

JC1026/WH

V50™ Pro

V50™ Pro Tilt Fire-rated LED Downlight 7.5W IP65 3000/4000K White

Features & Benefits

- IP65, suitable for bathrooms with a slimline double hinged driver, including colour coded loop in/loop out terminals
- 20° Tilt and 350° rotation, suitable for cut outs Ø86mm
- Low profile design, for installations in shallow 50mm ceiling voids
- Selectable colour temperature of 3000K & 4000K
- See jcc.co.uk for latest Fire test reports
- This product contains a light source of energy efficiency class F



60°
BEAM



CLASS II



COL SWITCH



80
CRI:RA



DIMMABLE



5yr
WARRANTY



IP
65
RATING

General Information

Mounting	Recessed
Trade Name	V50™ Pro
Environment	Indoor
Product Group	Fire-rated Downlights
Color Finish	White
Product Shape	Round
Product Range	Fire-rated Downlights
Overall Dimensions	Ø100 x 62.7
Height (mm)	62.7
Diameter (mm)	100
Product Weight(kg)	0.380
Light Source	LED
Light Source Features	Colour Selectable
Overall Dimensions (mm) Rim	Ø100
Recommended Product Location	Indoor use only
Minimum Void Requirement	50mm
Method Of Fix	Recessed with Spring Clips
Product Aperture Size	Ø86mm
Max Angle Of Tilt & Rotation	20° Tilt/350° rotation
IP Rating	IP65
Duration of Fire protection (Mins)	Tested for use in fire-rated ceilings. Full information and up-

Origin of manufacturer

to-date fire testing certificates for ceiling system types are available on JCC.CO.UK

Made In China

Warranty

2 years standard warranty extends to a 3 year commercial warranty or 5 year domestic warranty when registered within the first year of purchase (See Website for terms and conditions)

Dimming Protocol Compatibility

Triac

Driver Manufacturer

JCC

LED Manufacturer/Type

Hongli

Electrical

Voltage Rating

230-240

Operating Frequency Hz

50/60Hz

Secondary running current(mA)

175

Constant Current or Constant Voltage

CC

Luminaire Circuit Wattage

7.5

Class

II

Output Voltage Max/Range (VDC)

36

Input Electrical Connections

Colour coded Push Fit Terminals LEN Loop In/Loop Out

Dimmable

Yes

Max No. In Run

20

Thermals

Insulation Coverage

Loosely Cover with Mineral Wool Insulation

Minimum Void Requirement

50mm

Operating Temperature Range °C

0 to 26

Performance Data

LED Life (Hours)

51000

Hours life stated is an indication of expected L70 chip and light output calculations when operating in optimum conditions. Product warranty period supports the full product during the term given. The L70 hours expectancy is not correlated with the full product warranty term, nor is it a representation of lumen depreciation during the warranty period.

Energy Rating

This product contains a light source of energy efficiency class F

Actual Lumen Output

600/650

Lumens Per Circuit Watt

80/87

Color Rendering Index

80-89

CRI: Ra

80

Correlated Color Temperature

3000K/4000K

Beam Angle °

60

LOR (Light Output Ratio) %

100

Photometry Available

Yes: available on request.

Construction

Primary Material

Steel

Lens

Polycarbonate

Heat Sink

Aluminium

Driver Housing

Polycarbonate

Rim Or Attachment

Die-cast Aluminium

Packaging

Product Packaged Weight(kg)

0.43

Quantity Per Outer Carton

20

Outer carton(L)- cm

61

Outer carton(W)- cm

24.5

Outer carton(H)- cm

17

Outer carton Net weight- kg

8.57

Outer carton Gross weight- kg

8.98

Product Bar Code EAN-13 Number

5052544113215

Outer carton Bar Code ITF-14 Number

15052544113212

Standards & Approvals

Manufactured In Accordance To

BS EN 60598:2015, 2-1, 2-2

CE Marked

Yes

UKCA Marked

Yes

Date code/Purchase order No.

Yes

WEEE Symbol

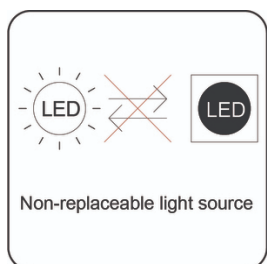
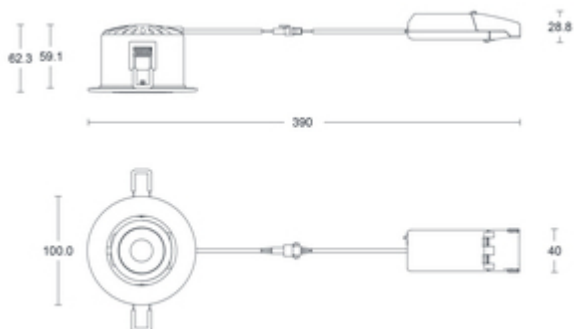
Yes

Certificate Of Conformity

Available on request

Accredited Members

LIA, ISO9001-2015, ISO14001-2015



JCC Lighting LTD, Lux Park, Chichester Business Park, City Fields Way, Tangmere, Chichester, West Sussex, PO20 2FT.
Sales: 01243 838999 (8am to 5pm Monday to Friday) Fax: 01243 838998 | sales@jcc.co.uk | www.jcc.co.uk
Company Registration Number: 03044848 | VAT Number: 918544112

This document is uncontrolled if printed, all information is subject to change

Version 118 [06/02/2023]