

Meola

40W Variable CCT Integrated LED Bulkhead with DALI/1-10v/Push Dimmable, Sensor, & Emergency Options



Overview

The Kosnic Meola Bulkhead comes with an integrated LED board for uniform light output. Switchable CCT (3000k,4000k,5000k). DALI/1-10v/Push dimmable version available. Microwave sensor and emergency versions are also available. The bulkhead is IP65 rated for outdoor use and vandal resistant with an IK10 rating. The bulkhead offers a simple and elegant solution wherever practical lighting is required.

Features

- Integrated LED modules
- Optional emergency module
- Class II
- IP65
- IK10
- High lumen output up to 100 lm/W
- Long life of 50,000h
- Instant start
- Negligible UV/IR output
- Mercury free

Emergency option

The optional emergency module provides power in the event of a cut in the supply. The built-in battery will supply the emergency LED strip for over 3 hours at a reduced output level.

Sensor option

Provides on/off control of the luminaire with adjustable range, hold time and daylight sensor settings adjustable via DIP switches.

Optional corridor/standby dimming sensor also available (DALI versions only, remote control required)

Product Specifications

Product Code	MEO40-SCT (/E /S /ES)	MEO40-SCT (/DA / DAS/ EDA /EDAS)
Voltage	220-240Vac 50-60Hz	220-240Vac 50-60Hz
Current (mA)	183	183
Rated Power (W)	40 W	40 W
CCT	3000k Warm White 4000k Cool White (default) 5000k Day Light	3000k Warm White 4000k Cool White (default) 5000k Day Light
Total Luminous Flux (lm)	3900	3900
Nominal Lifetime (h)	50000	50000
L70B50 Lifetime (h)	54000	54000
L80B10 Lifetime (h)	43000	43000
L90 Lifetime (h)	21000	21000
Blue Light Hazard	RG1	RG1
Glow wire temperature (°C)	650	650
SDCM of CCT	<6	<6
Flicker %	1	1
Power Factor	0.9	0.9
Dimensions LxWxD (mm)	85 x 520 Ø	85 x 520 Ø
Weight (kg)	1.65	1.65
In-rush current (peak/duration) (A)	11.2 / 180 µs	15 / 100 µs
Protection	Class II, IK10, IP65	Class II, IK10, IP65
Ambient Temperature Range (°C)	-20 to 40	-20 to 40
Emergency Luminous Flux (lm)	400 (with CEC05LBL/N) 120 (with EMDD02)	400 (with CEC05LBL/N) 120 (with EMDD02)

Light Source Specifications

Lighting Technology used	LED	LED
Directional / Non-Directional	NDLS	NDLS
Cap Type / interface	Connector	Connector
Mains / Non-Mains	NMLS	NMLS
Connected Light Source	No	No
Colour Tuneable Lightsource	No	No
High luminance light source	No	No
Anti-glare shield	No	No
Dimmable	No	No
Energy Consumption in on-mode (kWh/1000h)	34	34
Energy Efficiency Class	D	D
Useful Luminous Flux (lm)	5500	5500
Beam Angle Correspondence (°)	360	360
CCT	3000k Warm White 4000k Cool White (default) 5000k Day Light	3000k Warm White 4000k Cool White (default) 5000k Day Light
On-mode power (Pon) (W)	34.2	34.2
Standby power (Psb) (W)	0	0
Networked standby power (Pnet)	N/A	N/A
CRI	82	82
Dimensions (LxWxD) (mm)	444 x 444 x 84	444 x 444 x 84
Claim of equivalent power	No	No
Equivalent power (W)	N/A	N/A
Chromaticity Coordinates	0.439(x), 0.401(y) (3000k) 0.385(x), 0.373(y) (4000k)	0.439(x), 0.401(y) (3000k) 0.385(x), 0.373(y) (4000k)

	0.345(x), 0.356(y) (5000k)	0.345(x), 0.356(y) (5000k)
Peak luminous intensity (DLS) (cd)	N/A	N/A
Beam angle (DLS) (°)	N/A	N/A
R9 CRI (LED/OLED)	6 (3000k) 21 (4000k) 12 (5000k)	6 (3000k) 21 (4000k) 12 (5000k)
Survival Factor	0.9	0.9
Lumen maintenance factor	0.96	0.96
Displacement factor(Mains LED/OLED)	N/A	N/A
Colour consistency in mcdam ellipses (Mains LED/OLED)	N/A	N/A
LED light source rep. a fluorescent light source without integrated ballast of a particular wattage (Mains LED/OLED)	N/A	N/A
Rep. W claim (Mains LED/OLED)	N/A	N/A
Flicker (pst LM) (Mains LED/OLED)	N/A	N/A
Stroboscopic effect metric (SVM)	N/A	N/A
Light Source Supply	36Vdc 950mA	36Vdc 950mA

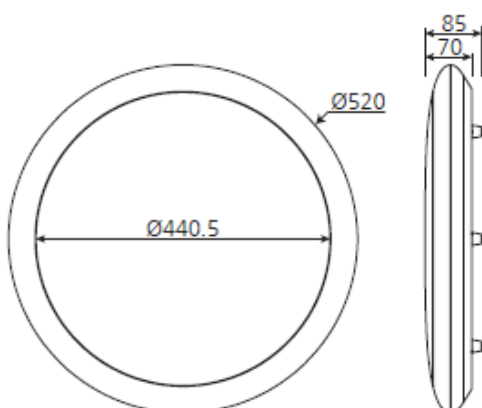
Order Codes

Product Options	Order Code	ID
Standard	MEO40-SCT	06831
Emergency	MEO40-SCT/E	06461
ON/OFF Microwave sensor	MEO40-SCT/S	06466
Emergency & ON/OFF Microwave sensor	MEO40-SCT/ES	Tbc
DALI-2 Dimmable	MEO40-SCT/DA	Tbc
DALI-2 & Corridor sensor	MEO40-SCT/DAS	Tbc
Emergency & DALI-2	MEO40-SCT/EDA	Tbc
Emergency, DALI-2 & Corridor sensor	MEO40-SCT/EDAS	Tbc

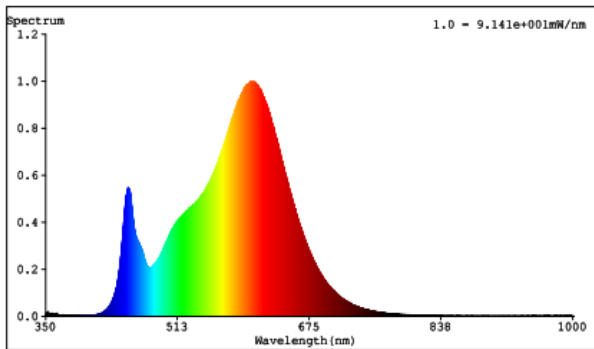
Optional Gears and Accessories

Description:	Order Code	Details:
Battery	KBAT2600 (for CEC05LBL/N)	Li-ion 2600mAh
Battery	KBAT2000LFP1 (for EMDD02)	LiFePO4 2000mAh
Battery	KBAT2600L11 (for EMDD02/ST)	Li-ion 2600mAh
Remote Control	MWS-RMT	Remote control (Corridor sensor only)

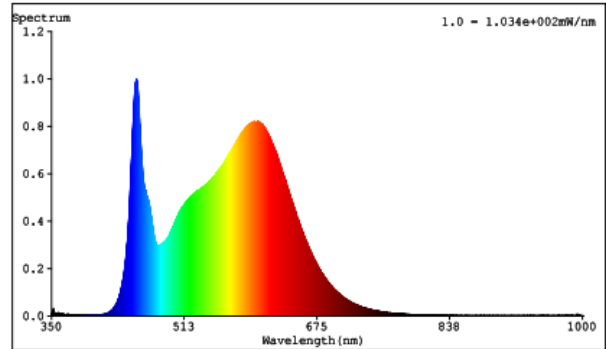
Dimensions



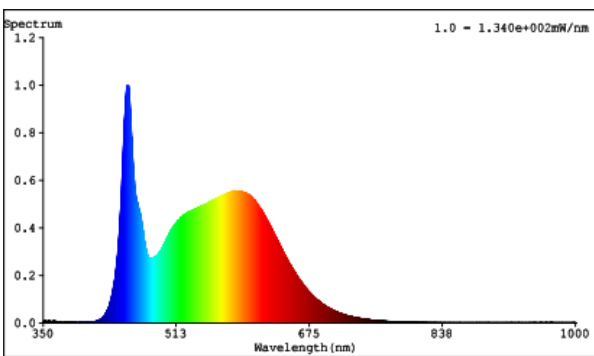
Photometric Information



3000K



4000K



5000K

Dimmer Switch Compatibility (/E, /S, /ES versions only)

The Meola bulkhead is compatible with most quality AC mains dimmer switches but please ensure that the compatibility and set-up is tested before committing to a large project. The following mains dimmer switches have been tested under laboratory conditions in the numbers shown and are recommended. Other dimmer switches may also give similarly acceptable performance.

Recommended Dimmer Switches:

Manufacturer	Model	Marked Rating	Notes
Aurora	AU-DSP400X	400W	1 to 4 luminaires, approx. 95% dimming.
BG	DM400AP	5-50W LED	1 to 4 luminaires, approx. 95% dimming.
Click	CMA145 (or MD9022)	250W	1 to 4 luminaires, approx. 80% dimming.
CYANIRIS	CYDIMRFT1 (Remote)	2 x 288W	1 to 4 luminaires, approx. 95% dimming.
Danlers	DQDGD MK	400W	1 to 4 luminaires, approx. 95% dimming.
Hamilton	H-GDM400W	400W	1 to 4 luminaires, approx. 80% dimming.
Hamilton	H-GDMTM250 (Touch)	250W	1 to 4 luminaires, approx. 95% dimming.
Hamilton	H-LEDStat	100w	1 to 4 luminaires, approx. 95% dimming.
Hamilton	L400/2 (or N4002)	400W	1 to 4 luminaires, approx. 75% dimming.
Robus	LOADPRO RLA200DT-01	133W	1 to 4 luminaires, approx. 95% dimming.
Varilight	Eclique (JDQI401S)	400W	1 to 4 luminaires, approx. 95% dimming.
Varilight	V-Dim	400W	1 to 4 luminaires, approx. 75% dimming.
Varilight	V-Pro	100W LED	1 to 4 luminaires, approx. 95% dimming.
Zano	ZGRID500	50W LED	1 to 4 luminaires, approx. 85% dimming.