



QUALITY SPACE HEATERS



Installation & Control Guide for 3kW Low Level Fan Heater with Electronic Controls and Open Window Detection

Model

HE6137E

All electrical appliances produced for the Company are guaranteed for one year against faulty material or workmanship. This applies only if the appliance has been used for purposes in accordance with the instructions provided and has not been connected to an unsuitable electricity supply, or subject to misuse, neglect, damage or modified or repaired by any person not authorised by us. This guarantee is offered to you as an extra benefit and does not affect your legal rights.

The correct electricity supply voltage is shown on the rating label attached to the appliance.

Reasonable care has been taken to ensure that this guide is accurate at the time of printing.

In the interest of progress the Company reserve the right to vary specifications from time to time without notice.

Overview

Please read this guide carefully and retain for future use and maintenance.

This appliance has been designed and manufactured to the highest international standards, however, care must be taken for optimal results and safety. This appliance also meets the requirements of EU Directive 2004/106/EC for EMC and 2009/125/EC Directive.

Safety & Care

The appliance is not intended for use by persons (including children) with reduced physical, sensory or mental capabilities or lack of experience and knowledge unless they have been given supervision or instruction concerning use of the appliance by a person responsible for their safety. Children should be supervised to ensure that they do not play with the appliance.

Warning

- Do NOT site the appliance in a corner.
- Do NOT handle the appliance with wet hands.
- Do NOT use the appliance in workshops or rooms where excessive dust is generated or present.
- Ensure that nothing is pushed into any aperture of this appliance.
- Do NOT touch outlet grille when the appliance is in use.
- Do NOT cover or restrict any aperture of the appliance when in use.
- Do NOT use the appliance if damaged.
- Do NOT leave the appliance unattended where young children are present.

Thermally Operated Cut-Out

The appliance is fitted with a thermally operated cut-out (TOC). This is a safety device, which switches the heater off if, for any reason, the appliance overheats. The TOC can only be re-set after the appliance has cooled down. In order to re-set the TOC, proceed as follows:

- Switch off appliance at mains and leave for approximately 10 minutes. Switch appliance back on and the TOC will re-set.
- Ensure that the appliance is functioning correctly. If the TOC control operates again, the appliance should be checked by a competent electrician.

The heater carries a 'Do Not Cover' label to warn the user that if the appliance is covered, there is a risk of overheating.

Cleaning

Always disconnect the heater from the mains before cleaning. The heater should not require any maintenance, but it is strongly advised that it is kept clean. An occasional wipe over with a soft cloth is all that should be necessary.

- Do NOT use metal or furniture polish on any part of the heater.
- Do NOT touch the heater with wet hands or in any way bring water into contact with it.

If the supply cord is damaged, it must be replaced by the manufacturer or its service agent or a similarly qualified person in order to avoid a hazard.

If Your Heater Does Not Work

- Check that power is available to the heater. The LED light should be illuminated
- Check that the thermal cut-out has not operated. Follow the reset instructions given under the section headed 'Thermally Operated Cut-out'.
- Check that the fuse in the spur unit has not blown. This can be done by replacing the fuse with another suitable fuse.

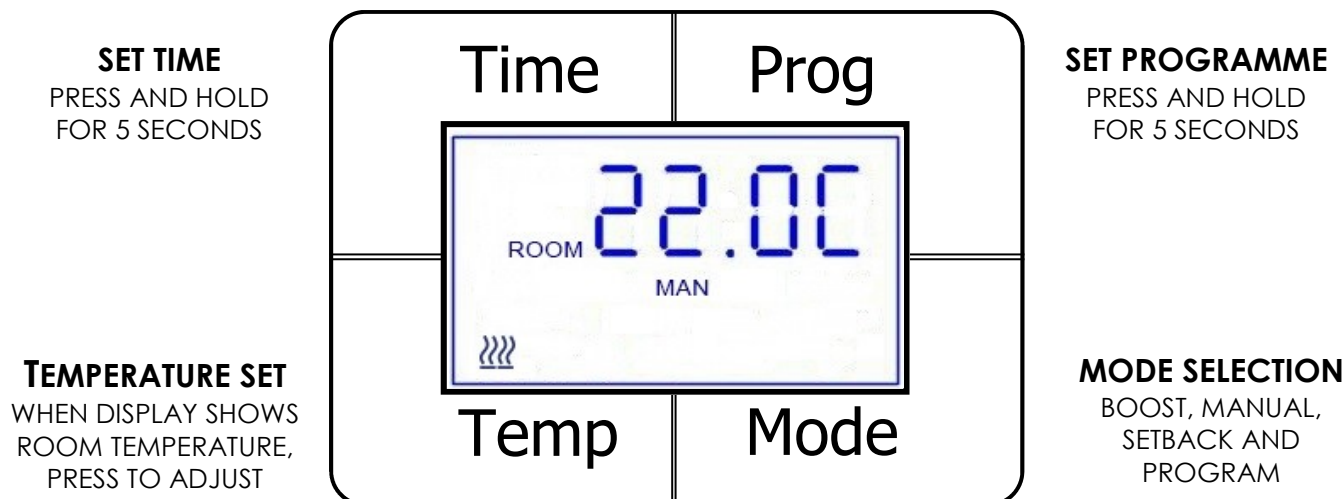
Should neither of the above remedies work, then telephone the helpline number shown in these instructions (UK ONLY). Do not attempt to repair the heater.

Connection to the Main Supply

Electrical installation should be carried out by a competent installer, preferably registered with NICEIC (National Inspection Council for Electrical Installation Contracting) in accordance with the 17 edition of the IEE Wiring Regulations, (BS.7671), and any relevant Local Authority Bye-Laws. The Heat-Zone can be connected in a number of ways depending on the form of control required. Whichever method is used, it must be permanently connected to the electricity supply via a double pole switch having 3mm gap on each pole. **There are no exceptions.** A switched Fused Connection unit to BS.1363. Part 4 is a recommended mains supply connection accessory to ensure compliance with safety requirements applicable to fixed-wiring installation.

Note: When switched on for the first time the appliance may emit a slight smell. This is purely the evaporation of a fluid used in the manufacturing process.

WARNING: This appliance must be earthed.



1. Basic Operation

When the appliance is connected to the mains supply and the wall socket is switched 'ON', the display will turn on, showing that the power is available to the unit. Before you can use the HE6137E, it has to be activated by pressing any control button. The LCD backlight will turn on. To operate any control button, press within 2 seconds of activation.

2. Time and day setting

-Press and hold the **TIME** button for 5 seconds.

Minutes are flashing - use **TEMP** and **MODE** buttons to set minutes.

-Press **TIME** button

Hours are flashing - use **TEMP** and **MODE** buttons to set hours.

-Press **TIME** button

Day is flashing - use **TEMP** and **MODE** buttons to set Day.

Once you are happy with the settings, press 'Time' to return to main screen.

3. Selecting operating mode

HE6137E has 4 operating modes:

BOOST, MANUAL, SET BACK, PROGRAM.

Each mode can be selected by pressing the **MODE** button to cycle through the options. The cycle sequence will always start with **BOOST** mode followed by **MANUAL**, **SET BACK** and **PROGRAM**.

4. BOOST - 15 minutes

The boost feature increases the room temperature for 15 minutes.

1. Use **TEMP** and **MODE** to set the temperature.

To amend the set temperature when in Boost mode, simply activate the display by pressing any button. Press **TEMP**, then use **TEMP** and **MODE** to change the temperature. Once the temperature is set, you can leave the display to return to the main screen and the settings will be saved. After 15 minutes, the HE6137E will return to previous operating mode.

5. MAN - Manual Mode

In manual mode, the heater maintains the set temperature.

1. Use **TEMP** and **MODE** to set the temperature.

To amend the set temperature when in Manual mode, simply activate the display by pressing any button. Press **TEMP**, then use **TEMP** and **MODE** to change the temperature. Once the temperature is set, leave the display to return to the main screen and the settings will be saved.

6. SETB - Reduction in programmed temperature

Setback mode can be used for frost protection, situations where a minimum room temperature must be maintained, or to disable the heating completely.

To amend the set temperature when in Setback mode, simply activate the display by pressing any button. Press **TEMP**, then use **TEMP** and **MODE** to change the temperature. Once the temperature is set, leave the display to return to the main screen and the settings will be saved. When the room temperature drops below the set temperature the heating will be active.

To disable heating lower the temperature to below 4°C and the screen will show '---'. The heating is now disabled.

7. PROG - Automatic time mode

In this mode, the HE6137E will follow the week's time / temperature programme.

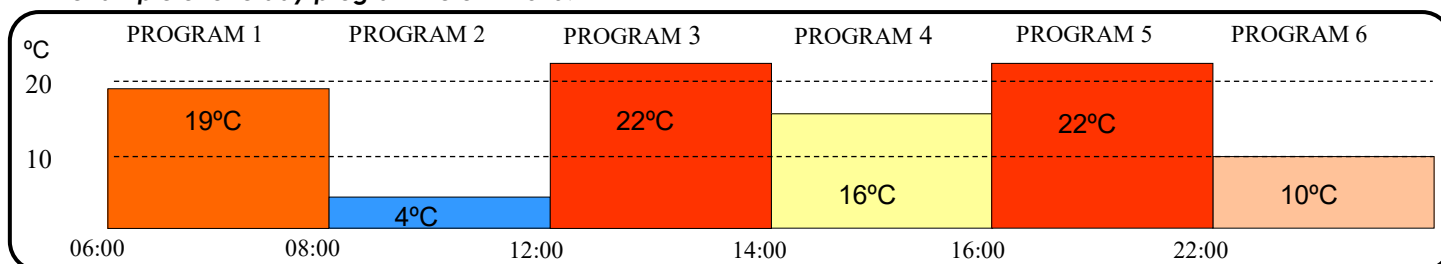
You can temporarily override the temperature in **PROG** mode by simply activating the display and using the **TEMP** and **MODE** buttons to set the new temperature. The new set temperature will be then maintained until the next program step.

8. Fan only mode

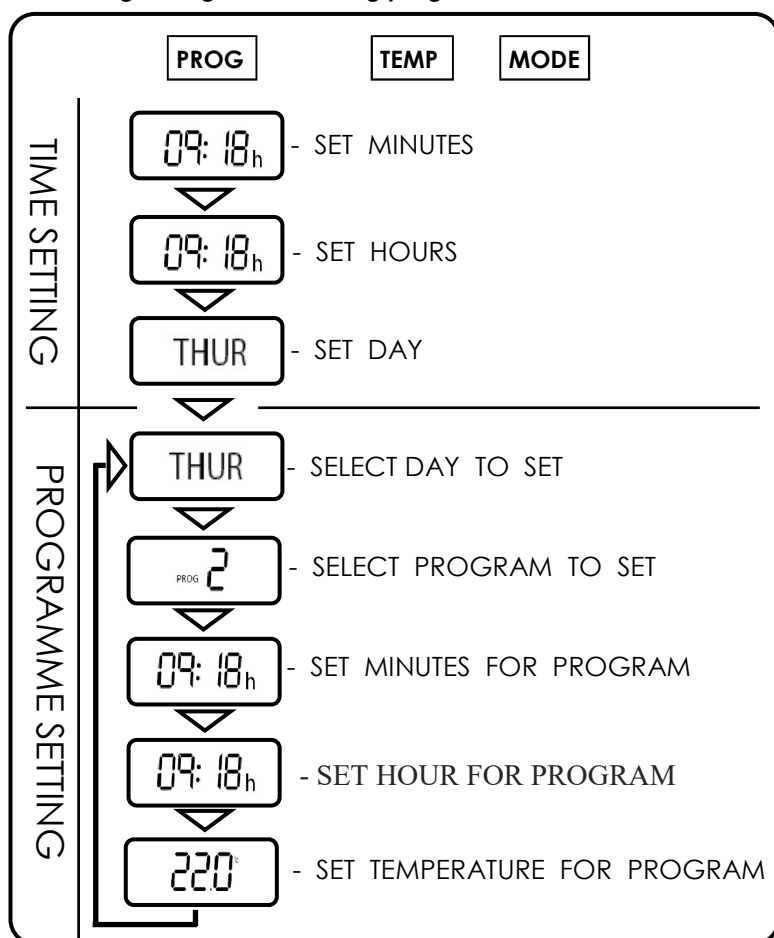
This appliance comes with a fan only option. This is very good for the warmer months to help improve air circulation. To enter fan only mode, activate the display and then hold down the **MODE** button for 5 seconds. The display will then show a fan symbol and the word 'FAN'. To exit fan only mode simply activate the display and press the **MODE** button.

9. Set 7-day programme

An example of one day programme on HE6137E



Logic diagram for setting programme on HE6137E



1. Press and hold PROG for 5 seconds to enter the time setting.
2. The day will be flashing.
3. Use TEMP and MODE to navigate day, press PROG to select day.
4. PROG 1 will be flashing. Use TEMP and MODE to navigate programme, use PROG to select programme.
5. The minutes will be flashing.
6. To set minutes, use TEMP and MODE to change minutes, press PROG to set the minutes.
7. The hour will be flashing
8. To set hour, use TEMP and MODE to change hour, press PROG to set the hour.
9. The temperature will be flashing.
10. To set temperature, use TEMP and MODE to change temperature, press PROG to set temperature.

To add another programme repeat steps 2-10.

Copy day function.

If you require the same set of programmes throughout the week it is possible to copy all the programmes from one day to another.

To do this, when in programming mode press and hold the TIME button and this will bring you to the copy day mode. To select which day you wish to copy press the PROG button and this will cycle through numbers 1-7 on the screen, this relates to which day you would like to copy. 1=MON, 2=TUE, 3=WED etc.

To select which day you would like to copy the programmes to, use the TEMP & MODE to navigate to the day. Once both are selected, press the time button to copy the day.

The HE6137E has a 7-day timer with up to 6 programming steps available for each day. In the programming you can set a start time and a temperature for each programme.

Set programme inactive.

If you do not require the use of all 6 programmes they can be set as inactive. When in programming mode select the programme you want to make inactive and press the TEMP button. If the programme is inactive the display will show "- :-: -". To activate the programme again press the TEMP button.

10. Status light on the heater



STAND-BY No heat output



Reduced heat output



Full power heat output

11. Advance mode

Press PROG from PROG mode to bring forward the next programme. To clear advance mode, press PROG.

12. Open Window Detection

Ensuring you don't waste energy on heating the outside world, the heater is equipped with optional open / closed window detection. The heater recognises sudden drops in temperature when a window or a door is opened and turns the heating off to save energy. When the window is closed, the heater will automatically detect a temperature rise, and switch itself back on. Once enabled in the setup menu, the open window detection is fully automatic and does not require any human intervention to be activated.

Setting-up Open Window Detection

The system has been factory set to default time and temperature values. If necessary, all values can be adjusted. When the heating is on, open window detection sensor will automatically switch the heater off when it detects a fall in temperature of 2°C in less than 10 minutes (this temperature can be changed in menu 7 and time in menu 6). If a temperature rise of 2°C in less than 30 seconds is detected, the heater will switch itself back on (this temperature can be changed in menu 9 and time in menu 8).

13. Setup menu

1. Press and hold TEMP and MODE together for 5 seconds.
2. The display will enter the setup menu.
3. Use TEMP and MODE to change a value.
4. Use TIME to scroll between the settings.

01 - temperature calibration

The temperature reading has been factory calibrated but if for any reason it needs adjusting (better accuracy required, to suit different position in the room etc.), the reading can be recalibrated in 0.5 degrees steps.

02 - change between degrees Celsius or Fahrenheit

03 - set minimum temperature
(3.5 deg = frost protection)

When this is set, the heater will operate in any mode should the room temperature fall below the set temperature.

04 - set maximum temperature

When this is set, the maximum temperature in any mode cannot exceed the limit.

05 - open window detection 0 = off, 1 = on

06 - 600 - open window detection time 600 seconds

07 - 2 - temperature drop of 2°C in the detection time

08 - 30 - closed window detection time of 30 seconds

09 - 2 - temperature rise of 2°C in the detection time


14. Heat symbol on the display

Every time there is a demand for heat, the display will show the heat icon.

☰ - reduced heat output when the room temperature is close to the set temperature.

☳ - full heat output

15. Keys locking

Press and hold TIME and TEMP together for 5 seconds. The display will show  symbol. Repeat the step to unlock.

16. Mounting

1. Mark screw fixing positions on the wall in accordance with dimensions shown on the diagram.
2. Drill 3 holes for 8mm wall plugs.
3. Insert plugs in to the holes.
4. The two end screws can be now screwed in until the heads are approximately 10mm from the wall.
5. Remove the top grille.
6. Hang the unit on the two end screws.
7. Secure the unit with the center screws.
8. Tighten all 3 screws ensuring that the unit is truly horizontal.
9. Reattach the top grille.

OPTIMUM MOUNTING HEIGHT IS 400mm FROM THE FLOOR.

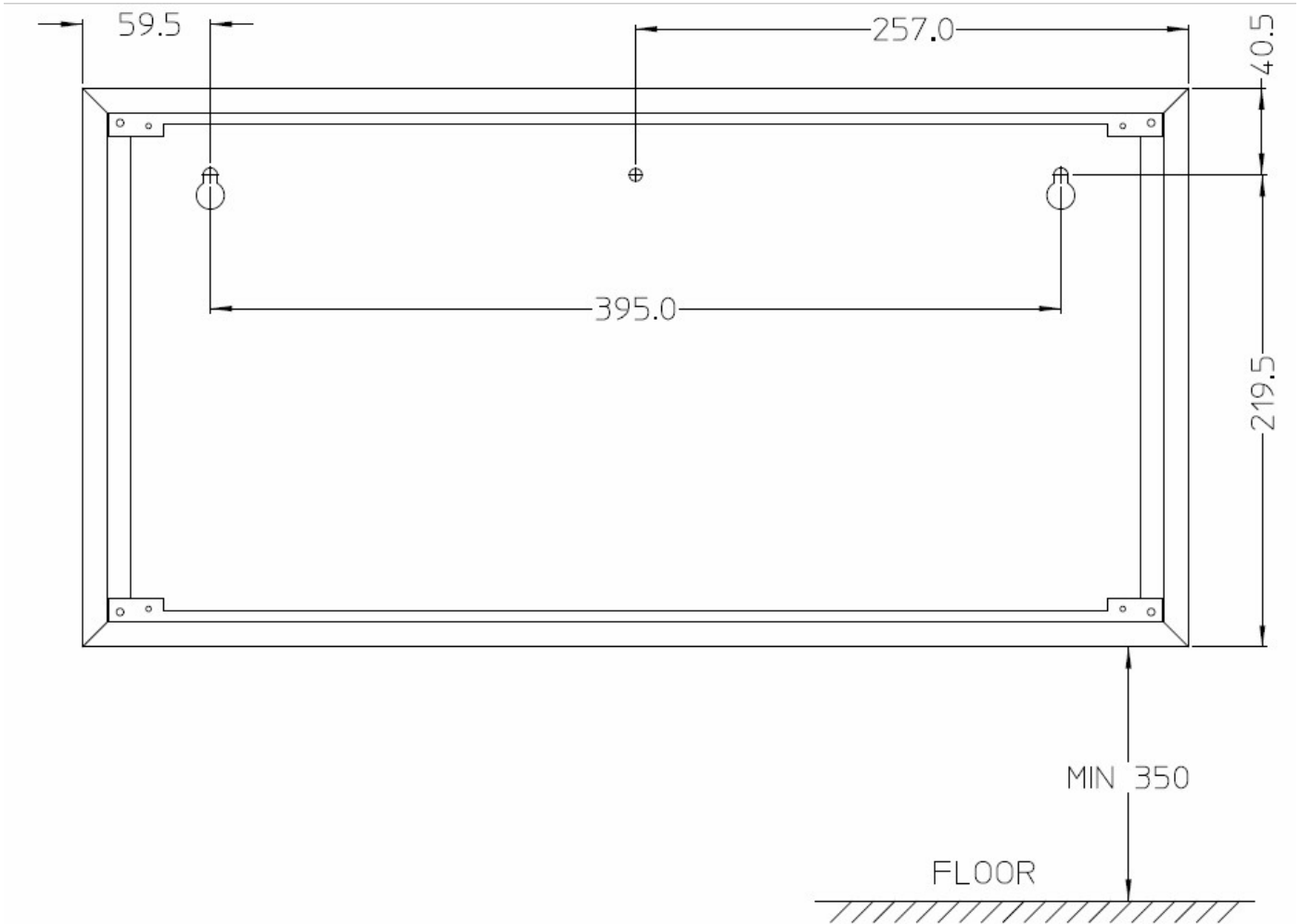
NOTE:

- MINIMUM CLEARANCE FROM THE FLOOR IS 200mm.

- IF THE HEATER IS MOUNTED AT HIGH LEVEL, THE MINIMUM DISTANCE FROM THE CEILING IS 1000mm.

- THE HEATER MUST NOT BE LOCATED IMMEDIATELY BELOW A FIXED SOCKET OUTLET.

16. Mounting



CUSTOMER HELPLINE

Should you need any advice on the use of your new Consort product please contact our Helpline:

Consort Equipment Products Limited

Thornton Industrial Estate, Milford Haven, Pembrokeshire, SA73 2RT

Tel: 01646 692172 Fax: 01646 695195

Email: technical@consortepl.com

Web: www.consortepl.com

Operation hours: Mon to Thu 8.30am to 4.30pm | Fri 8.30am to 3.30pm

BS EN ISO 9001 Registered Company No FM12671