



QUALITY SPACE HEATERS



## Installation & Control Guide for 3kW Heat-Zone Fan Heaters for SL Wireless Controllers

Model

**HE7010SL**

All electrical appliances produced for the Company are guaranteed for one year against faulty material or workmanship. This applies only if the appliance has been used for purposes in accordance with the instructions provided and has not been connected to an unsuitable electricity supply, or subject to misuse, neglect, damage or modified or repaired by any person not authorised by us. This guarantee is offered to you as an extra benefit and does not affect your legal rights.

The correct electricity supply voltage is shown on the rating label attached to the appliance.

Reasonable care has been taken to ensure that this guide is accurate at the time of printing. In the interest of progress the Company reserve the right to vary specifications from time to time without notice.

# Overview

Please read this guide carefully and retain for future use and maintenance.

This appliance has been designed and manufactured to the highest international standards, however, care must be taken for optimal results and safety. This appliance also meets the requirements of EU Directive 2004/106/EC for EMC and 2009/125/EC Directive.

## Safety & Care

The appliance is not intended for use by persons (including children) with reduced physical, sensory or mental capabilities or lack of experience and knowledge unless they have been given supervision or instruction concerning use of the appliance by a person responsible for their safety. Children should be supervised to ensure that they do not play with the appliance.

## Warning

- Do NOT site the appliance into a corner.
- Do NOT handle the appliance with wet hands.
- Do NOT use the appliance in workshops or rooms where excessive dust is generated or present.
- Ensure that nothing is pushed into any aperture of this appliance.
- Do NOT touch outlet grille when the appliance is in use.
- Do NOT cover or restrict any aperture of the appliance when in use.
- Do NOT use the appliance if damaged.
- Do NOT leave the appliance unattended where young children are present.

## Thermally Operated Cut-Out

The appliance is fitted with a thermally operated cut-out (TOC). This is a safety device, which switches the heater off if, for any reason, the appliance overheats. The TOC can only be re-set after the appliance has cooled down. In order to re-set the TOC, proceed as follows:

- Switch off appliance at mains and leave for approximately 5 minutes.
- Switch appliance back on and TOC

will re-set.

- Ensure that the appliance is functioning correctly. If the TOC control operates again, the appliance should be checked by a competent electrician.

The heater carries a 'Do Not Cover' label to warn the user that if the appliance is covered, there is a risk of overheating.

## Cleaning

Always disconnect the heater from the mains before cleaning. The heater should not require any maintenance, but it is strongly advised that it is kept clean. An occasional wipe over with a soft cloth is all that should be necessary.

- Do NOT use metal or furniture polish on any part of the heater.
- Do NOT touch the heater with wet hands or in any way bring water into contact with it.

If the supply cord is damaged, it must be replaced by the manufacturer or its service agent or a similarly qualified person in order to avoid a hazard.

## If Your Heater Does Not Work

- Check that power is available to the heater. The LED light should be illuminated
- Check that the thermal cut-out has not operated. Follow the reset instructions given under the section headed 'Thermal Operated Cut-out'.
- Check that the fuse in the spur unit has not blown. This can be done by replacing the fuse with another suitable fuse.

Should neither of the above remedies work, then telephone the helpline number shown in these instructions (UK ONLY). Do not attempt to repair the heater.

## Connection to the Main Supply

Electrical installation should be carried out by a competent installer, preferably registered with NICEIC (National Inspection Council for Electrical Installation Contracting) in accordance with the 17 edition of the IEE Wiring Regulations, (BS.7671), and any relevant Local Authority Bye-Laws. The Heat-Zone can be connected in a number of ways depending on the form of control required. Whichever method is used, it should be permanently connected to the electricity supply via a double pole switch having 3mm gap on each pole. A switched Fused Connection unit to BS.1363. Part 4 is a recommended mains supply connection accessory to ensure compliance with safety requirements applicable to fixed-wiring installation.

**Note:** When switched on for the first time the appliance may emit a slight smell. This is purely the evaporation of a fluid used in the manufacturing process.

**WARNING:** This appliance must be earthed.

## Electrical Connection

To connect a supply to the heater the curved top cover first needs to be removed. Looking directly at the output grille the top cover is secured by two screws which are located at the upper left and right of the outlet grille. Once the 2 screws are removed the curved top cover can be removed by lifting it up and away from the output grille, then lifting off the cover from the two slot hinges located at the opposite side to the two screws. The input terminal block, marked LEN, is fitted at the left hand side of the unit looking from above (at the opposite end to the fan motor).

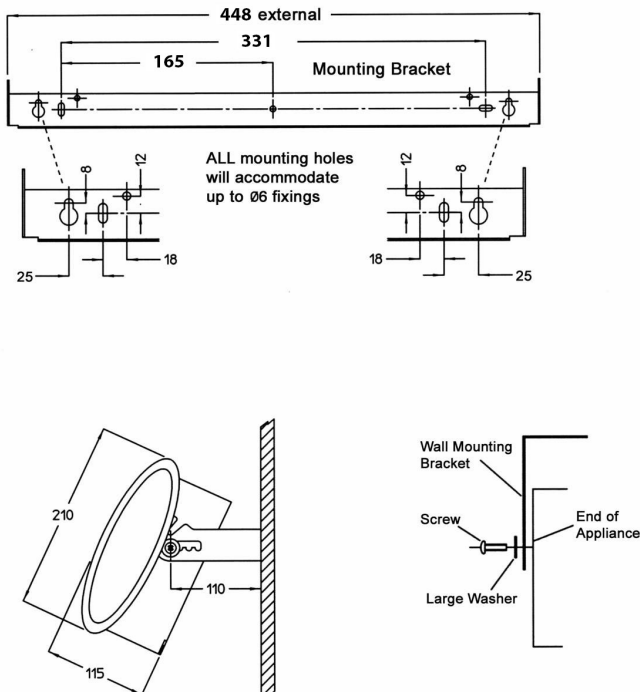
## Installation

To the unit, connect a suitable length of 3 core flexible cable (1.5 mm<sup>2</sup> for 3kW) to the input terminal block.

Loosen mounting screws, allowing the mounting bracket to be removed from the unit. Making sure that the mounting bracket is horizontal, fix the bracket to the wall using appropriate screws.

Place the unit on the mounting bracket ensuring the washers are spaced as on diagram.

Tighten screws to hold the unit at the required angle.



## Wall Mounting

The normal mounting height is 2.3m above the floor, although this will depend to some extent on the situation. The unit should be mounted at least 200mm below ceiling. The heater can be arranged to blow air at any angle, from horizontal to vertically downwards, subject to the conditions mentioned below. It is suggested that an angle of 45 deg is a convenient starting point when setting up the unit. It must always be installed with the axis of the motor horizontal. Failure to ensure this will result in excessive bearing wear and premature failure. A mounting bracket is provided for mounting to a wall.

The heater should not be mounted in situations where it may be subject to conditions of excessive humidity or the atmosphere is corrosive.

**IMPORTANT: ALWAYS RETAIN YOUR USER INSTRUCTIONS FOR FUTURE REFERENCE**

## Operation

When the appliance is connected to the mains supply, the LED indicator will light up green, showing that the power is available to the unit.

When the heat output has been enabled by a controller, the LED indicator light will turn red.

**This heater can only be used when connected to any SL wireless controller.**

Each SL controller can control any number of heaters providing they are in the RF range.



*SL wireless controllers*

Please refer to the SL user and operating instructions for full operational details.

---

## Removing the Fan Heater Assembly

1. Remove the top cover as described under the heading 'Electrical Connection'.
2. Disconnect the supply wires to the input terminal block.
3. Unscrew the bush holding the terminal block assembly to the main case.
4. Remove the 4 nuts and washers holding the fan heater assembly in place.
5. The fan heater assembly, terminal block and internal wiring can now be removed.
6. The assembly is replaced by carrying out the above operations in the order 5) to 1).

### **CUSTOMER HELPLINE**

Should you need any advice on the use of your new Consort product please contact our Helpline:

#### **Consort Equipment Products Limited**

Thornton Industrial Estate, Milford Haven, Pembrokeshire, SA73 2RT

Tel: 01646 692172 Fax: 01646 695195 Email: [technical@consortepl.com](mailto:technical@consortepl.com) Web: [www.consortepl.com](http://www.consortepl.com)

Operation hours: Mon to Thu 8.30am to 4.30pm | Fri 8.30am to 3.30pm

BS EN ISO 9001 Registered Company No FM12671