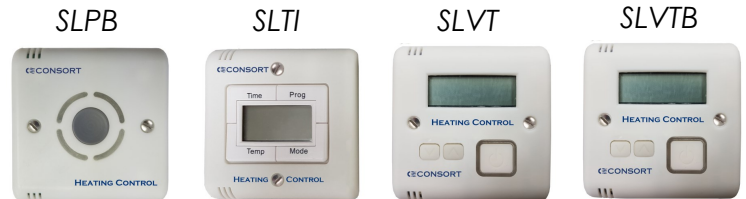


CONSORT Wireless controller CRX2



SURFACE WARM CEILING HEATERS

CATALOGUE NUMBERS

HE7237SL, HE7247SL, HE7267SL,
HE7237RX, HE7247RX, HE7267RX

INSTALLATION AND OPERATING MANUAL

INDEX	Section
General information -----	1
Dimensions -----	2
Installation Details -----	3
Electrical Connections -----	4
Operation -----	5
Servicing & Maintenance -----	6

1. General Information

1.1 Introduction

This instruction manual describes the CLAUDGEN Surface Warm Air Ceiling Heaters.

The heater is designed to be suspended from the ceiling.

1.2 General

All installations must be in accordance with the regulations in force in the country of use.

These instructions must be handed to the user on completion of the installation.

Installers and service engineers must be able to demonstrate competence and be suitably qualified in accordance with the regulations in force in the country of use.

To ensure continued and safe operation it is recommended that the appliance is serviced annually.

The heater outlet / inlet must not be obstructed during use.

1.3 Electrical Supply

Electrical supply is 230/240V single phase, Neutral and Earth. The maximum cable inlet size is 4mm².

It is recommended that the electrical supply to the base unit in the heater is via an appropriate switched isolator in accordance with the regulations in force in the country of use and must be via a fused isolator having a contact separation of greater than 3mm on all poles.

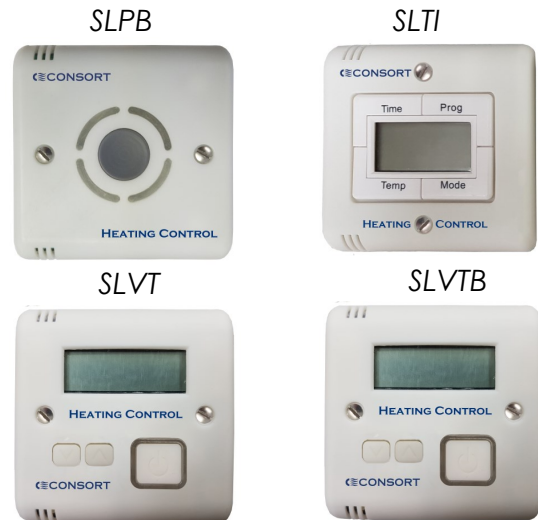
BMS control, time switches, room thermostats and door interlocks can be installed at the discretion and responsibility of the installer.

All units must be wired in accordance with I.E.E regulations for the Electrical Equipment of Buildings and the installer should ensure that a suitable isolating switch is connected in the mains supply.

1.4 Controller `SL` models

The HE7237SL, HE7247SL, HE7267SL heaters are supplied without a controller. The `SL` models will not work without the controller. See section 5.1 for more details.

CONSORT SL Controllers



1.5 Controller `RX` models

The HE7237RX, HE7247RX, HE7267RX heaters are supplied without a controller. The `RX` models will not work without the controller. See section 5.2 for more details.



CONSORT Wireless controller CRX2

1.6 Location

All units should be installed horizontally. It is recommended that the ceiling heater is suspended using four 10mm rods.

Care must be taken to allow complete free air movement into the inlet grilles of the unit to ensure the correct working operation of the heater. If the HE7237SL/RX or HE7247SL/RX heaters are mounted close to the wall or corner the discharge opening should be facing the wall. The minimum distance from the wall or corner is 0.8m or 1.2m for the HE7267SL/RX.

1.7 Clearance distances

It is acceptable for the heater to sit flush to the ceiling.

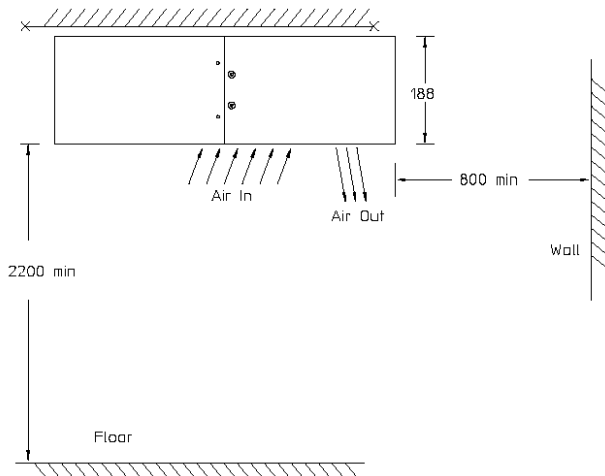
The minimum mounting height (floor to grille) is 2.2m for the HE7237SL/RX, HE7247SL/RX and 2.5m for the HE7267SL/RX.

The recommended mounting height is 2.5m for the HE7237SL/RX, HE7247SL/RX and 3m for the HE7267SL/RX.

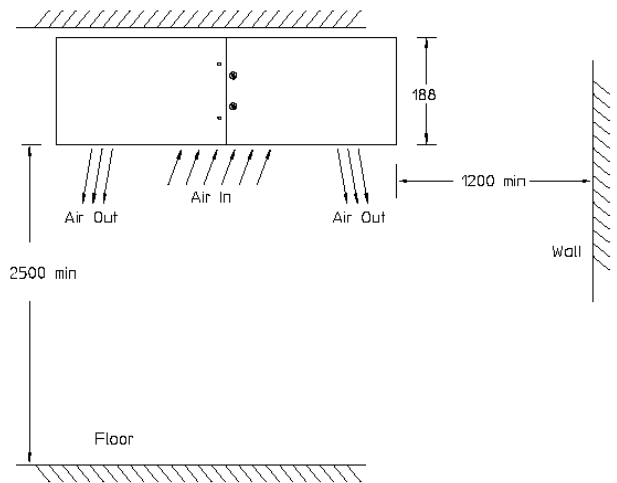
1. General Information

1.8 Clearance distances

HE7237, HE7247



HE7267



1.9 Health and Safety

Sole liability rests with the installer to ensure that all site safety procedures are adhered to during installation.

Sole liability rests with the installer to ensure that protective safety wear such as hand, eye, ear and head protection is used during installation of the product.

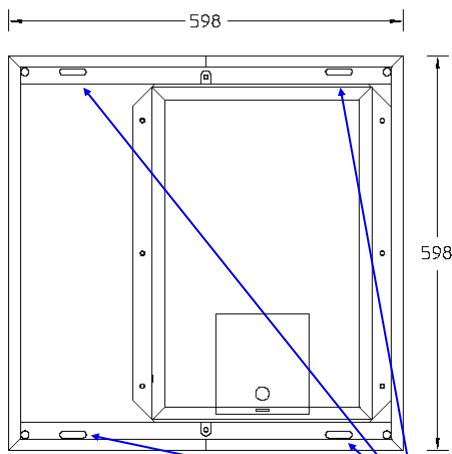
Do not rest anything especially ladders against the product.

1.10 Standards

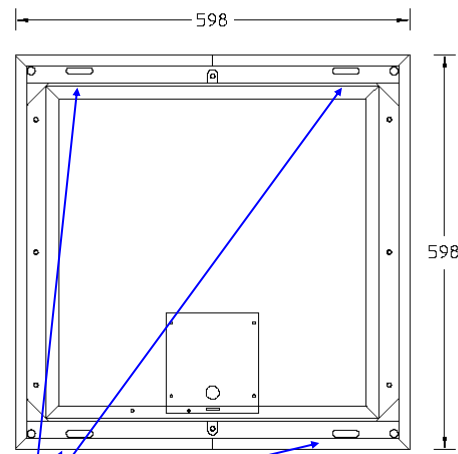
Units conform to the European electrical standard BS EN 60335-2-30

2. Dimensions

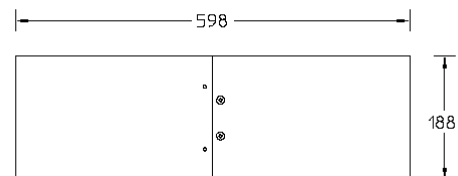
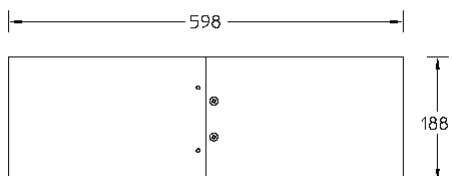
HE7237, HE7247



HE7267



SUSPENSION POINTS



3. Installation Details.

3.1 Installation

It is the sole responsibility of the installer to ensure that the points of attachment to the building are sound. Care must be taken to allow complete free air movement into the inlet grilles of the heater. Carefully unpack the unit. The unit is supplied with a length of self-adhesive foam strip. This can be cut into lengths and is to be laid on the 4 sides of the bottom of the heater casing. This will ensure that the unit assembly is free from vibration.

The weight of the HE7237SL/RX, HE7247SL/RX is 12kg

The weight of the HE7267SL/RX is 15kg

- Split and remove shroud

A pair of machine screws hold each shroud half together at each joint. A machine screw secures each shroud half to each appliance beam. Remove these machine screws and slide each shroud half off the appliance base panel. The base panel fits inside the shroud halves. The diffuser is already clipped into and under the base panel and need not be removed.

- Hanging Rod Positions

With the shroud removed the two appliance beams reveal the holes/slots shown and dimensioned below. It is required that two 10 mm hanging rods (stud bars) support each appliance beam. The rods pass through and into each appliance beam. Support washers together with nuts locate and lock the appliance beams after adjustment to level the appliance.

- Replace Shroud Halves

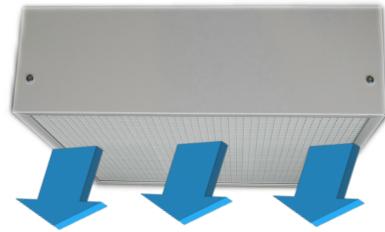
The reverse of above. Slide shrouds beneath and around base panel. Secure each shroud half to each appliance beam with machine screws. Screw shroud halves together at each joint.

4.1 Electrical Connections.

These units are suitable for connection to a 230/240 Volt 50 Hz single phase supply.

The appliance shall be connected to the

Fig.1 Air discharge of HE7237SL/RX and HE7247SL/RX



ENSURE THE AIR OUTLET OF HE7230 AND HE7245 IS NEAREST TO THE WALL OR CORNER.

Fig.2 Air discharge of HE7267SL/RX

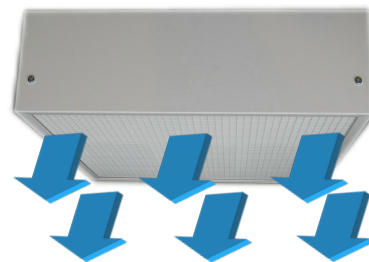
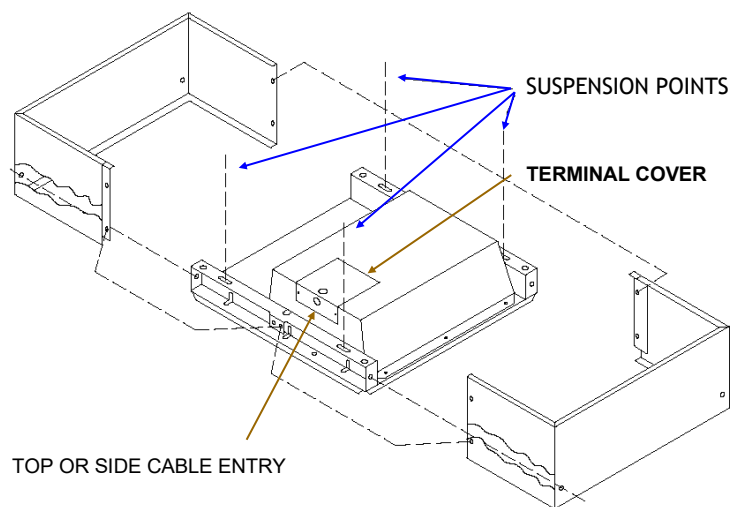


Fig.3 Heater assembly



4. Electrical Connections.

supply via an appropriate switched fused double pole isolator having a contact separation of greater than 3mm. Test for correct operation and refit the cover.

For connection to the mains supply it will be necessary to open the terminal cover at the side/back of the unit to connect the supply from the controls prior to refitting the cover. Wire in accordance to the wiring diagrams.

For safety reasons, a sound earth connection must always be made to the unit before it is put to use. The unit should be wired in accordance with IEE Regulations for the Electrical Equipment of Buildings.

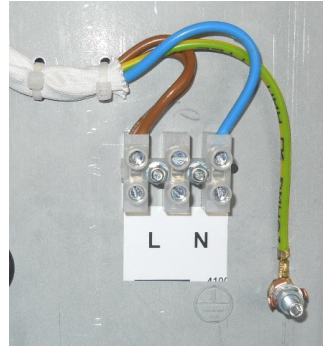
4. Electrical Connections.

4.2 Electrical connections for SL and RX models

Fig.8 Heater with terminal cover open



Fig.9 Terminal cover detail



5. Operation.

5.1 SL models

The heaters HE7237SL, HE7247SL and HE7267SL can be controlled by any CONSORT SL wireless controller. Each SL controller can control any number of heaters providing they are in the RF range. For more details please follow the instructions supplied with the controller.



5.2 RX Models

The heaters HE7237RX, HE7247RX and HE7267RX can be controlled by CONSORT wireless controller CRX2. The heaters will not work without a controller. Each controller has unique identification code, it can control unlimited number of heaters and will not interfere with other controllers within the building. For more details please follow the instructions supplied with the controller.



CONSORT Wireless controller CRX2

6. Servicing & Maintenance.

6.1 Maintenance

! ALWAYS ENSURE THAT THE MAIN EXTERNAL ELECTRICITY SUPPLY IS SWITCHED OFF BEFORE COMMENCING ANY MAINTENANCE ON THIS HEATER.

To obtain the best results from the heater, it is essential to avoid the accumulation of dust and dirt within the unit on the air inlet and discharge grilles. For this reason regular cleaning is necessary.

Cleaning of the fan is best carried out with a soft brush.

The product should be serviced annually.

Servicing shall be undertaken by a competent person.

6.2 General

If the heater does not operate a competent service engineer should be called to identify the nature of the fault.

All heaters are fitted with motor thermal protection.

Other faults in relation to the element, motor and wiring should be identified using conventional fault finding techniques.

In the event that electrical components are replaced, please ensure that electrical safety checks in accordance with the regulations in force in the country of use are undertaken.

6.3 Thermal cut-out

The units are protected from overheating in the event of fan failure or an obstruction of the free airflow, by thermal cut outs. If this happens the thermal cut outs switch off the appliance. The appliance will not operate until the heater is disconnected from the mains supply and it has cooled down.

If this fault re-occurs again, refer to the section '6.4 fault finding'.

6.4 Fault Finding

If the heater will not operate, disconnect it from the mains and arrange for a certified electrician to attend and investigate the reason.

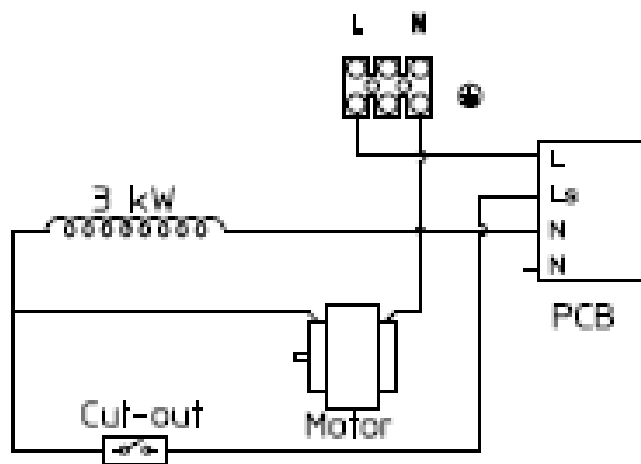
6.5 Replacing the Fan Heater

- a) Split and remove shroud
- b) Remove the grille.
- c) Disconnect the internal wiring from the blower
- d) Remove the four screws fixing the fan heater assembly to the back of the case.
- e) The fan heater assembly can now be eased forward and removed from the heater case.
- f) Fit replacement fan heater and reassemble in reverse order.

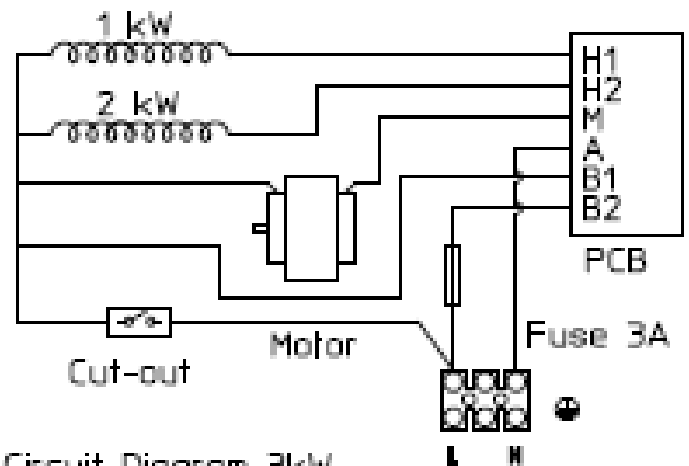
6.6 Spares

It is essential when ordering spares or replacement parts to state the model number and the serial number on the rating label fixed to the side of the unit below the terminal cover.

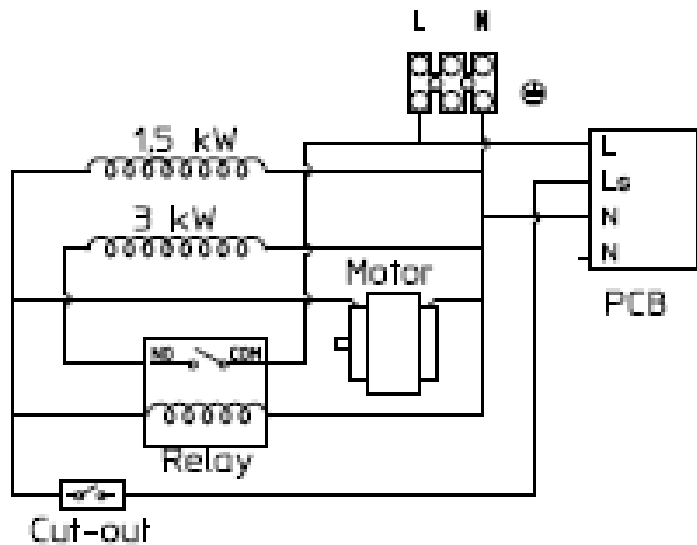
In the interest of progress the Company reserve the right to vary specifications from time to time without notice. The material listed is offered subject to the Company's General Conditions of Sale, a copy of which can be obtained on request.



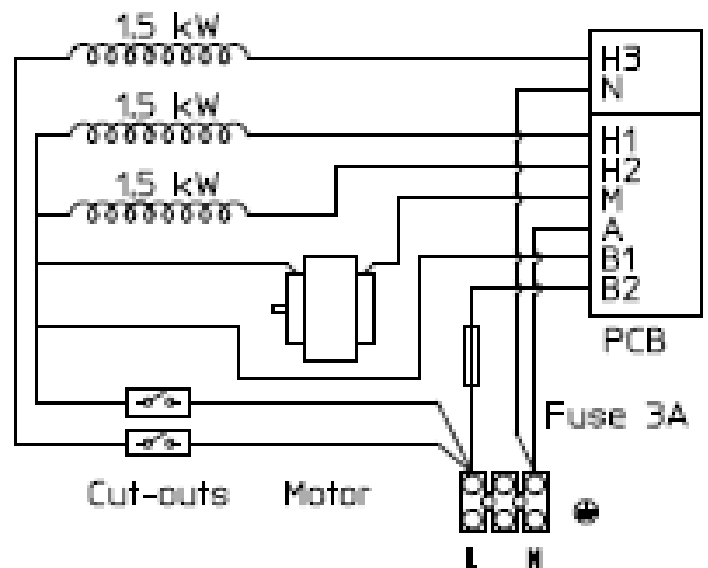
Circuit Diagram 3kW Heaters
Heaters for SL Wireless Controls



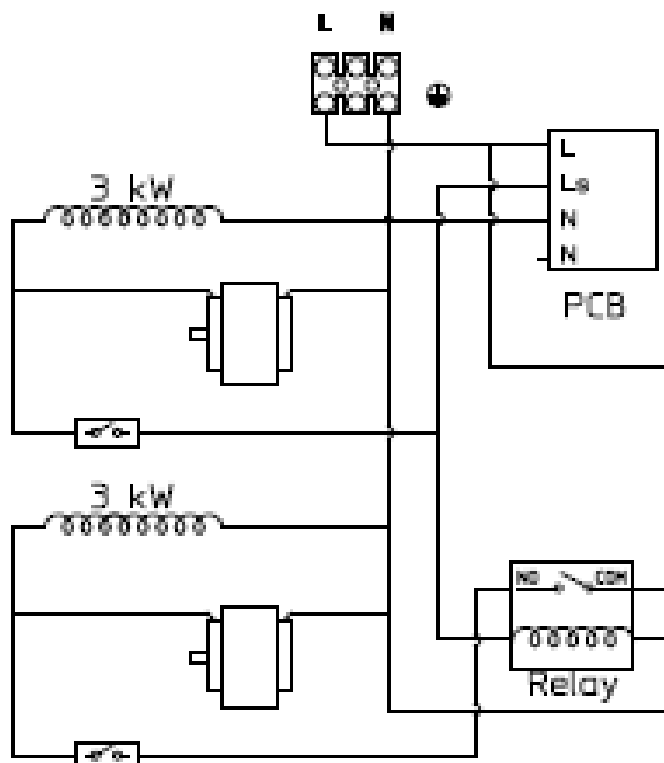
Circuit Diagram 3kW
Heaters for RX Wireless Controls



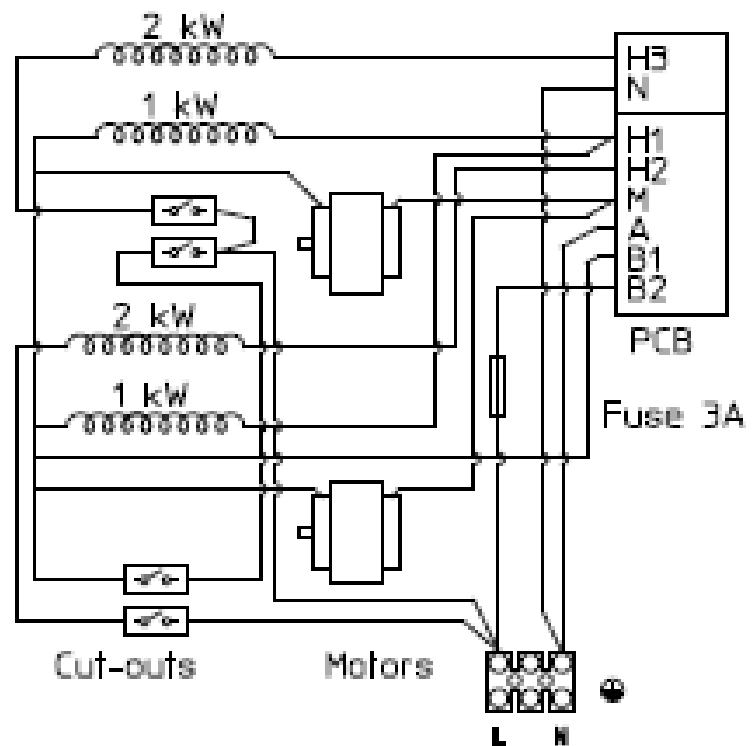
Circuit Diagram 4.5kW Heaters
Heaters for SL Wireless Controls



Circuit Diagram 4.5kW
Heaters for RX Wireless Controls



Circuit Diagram 6kW Heaters
Heaters for SL Wireless Controls



Circuit Diagram 6kW
Heaters for RX Wireless Controls

Customer Helpline

Should you need any advice on the use of your new Consort product, or should you require service or repair, please contact our Helpline:

Consort Equipment Products Limited

Thornton Industrial Estate, Milford Haven, Pembrokeshire, SA73 2RT

Tel: 01646 692172 Fax: 01646 695195

Email: technical@consortepl.com Web: www.consortepl.com

Operation hours: Mon to Thu 8.30am to 4.30pm | Fri 8.30am to 3.30pm

BS EN ISO 9001 Registered Company No FM12671