



Installation, Technical & Safety Information Sheet

Product Reference: OV3600**5#D
Hole Cut Out Diameter: 70-75mm
IP Rating: IP65

PREPARATION:

- Before commencing any electrical work, ensure the mains isolator on the consumer unit/fuse board is in the 'OFF' position.
- Scolmore recommends that a sample hole is cut out in some scrap material to familiarise yourself with the installation.
- The fitting should be mounted on a flat, smooth surface, noting the position of any pipes or wiring behind the fixed surface to prevent the risk of damage.
- With all painted/plated products, some shade variation may occur. Please ensure products are checked before installation.

COMPLIANT WITH:

The OV3600 series of downlights have been tested and comply with the following:

BS EN 60598-1: Luminaires. General Requirements.

BS EN 60598-2-2: 2012 Recessed Luminaires.

BS 62471: 2006 and/or EN 62471: 2008 Photo biological Safety of Lamps and Lamp Systems.

BS EN: 61347-2-13: 2006 D.C. or A.C. Supplied Electronic Control Gear for LED Modules.

BS EN: 1365-2: 2014 Fire Resistance Tests for Loadbearing Elements. Floors and Roofs.

BS EN 60529: 1992+A2: 2013: Degrees of Protection Provided by Enclosures (IP Code).

BS 5250: 2011+A1 2016: Code of Practice for Control of Condensation in Buildings.

BS EN ISO 10140-2: 2010: Acoustics. Measurement of Sound Insulation in Buildings and of Building Elements. Laboratory Measurements of Impact Sound Insulation of Floors.

BS EN ISO 10140-3: 2010+A1: 2015: Acoustics. Measurement of Sound Insulation in Buildings and of Building Elements. Laboratory Measurements of Airborne Sound Insulation of Building Elements.

BS EN ISO 717-2: 2013: Acoustics. Rating of Sound Insulation in Buildings and of Building Elements. Impact Sound Insulation.

LVD - Directive 2014/35/EU

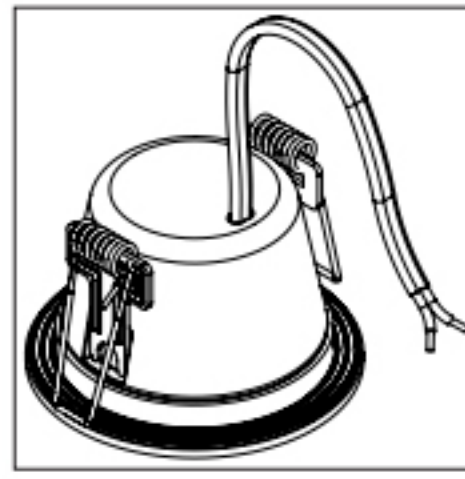
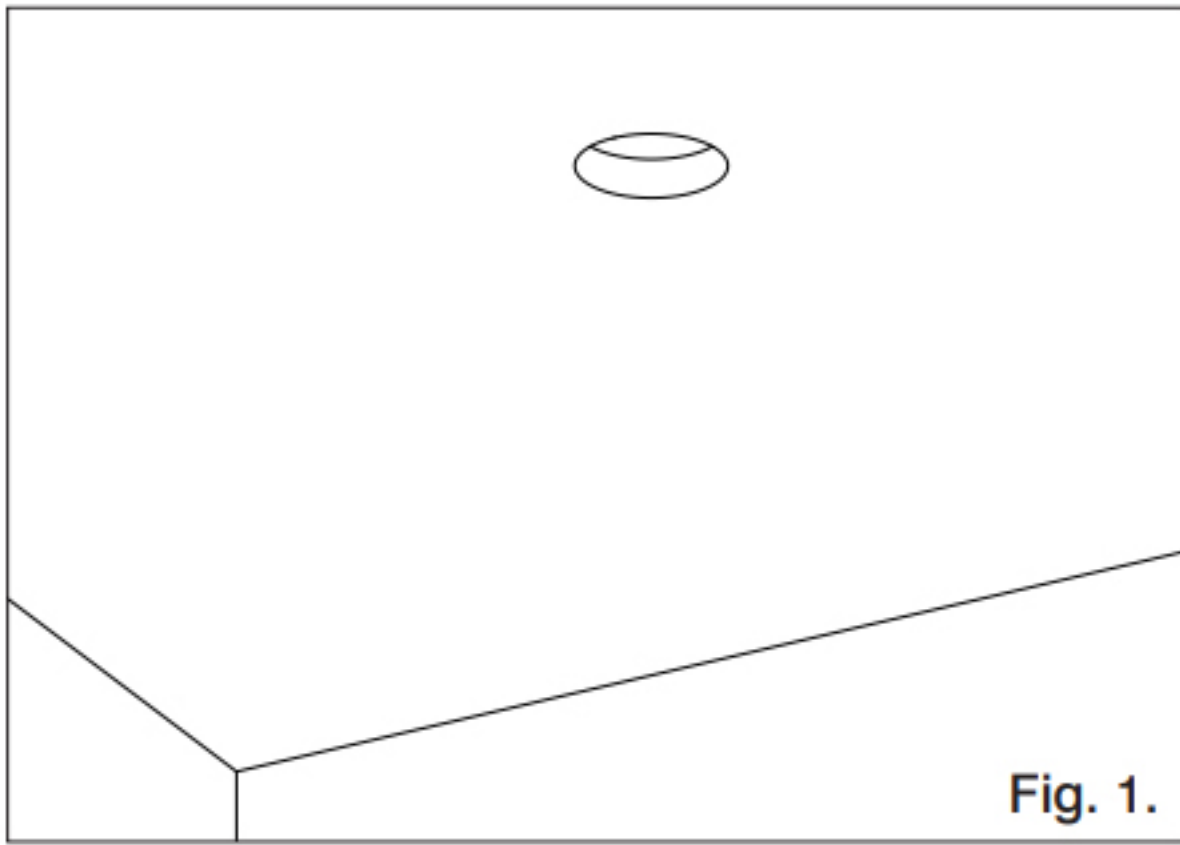
EMC - Directive 2014/30/EU

GENERAL INFORMATION:

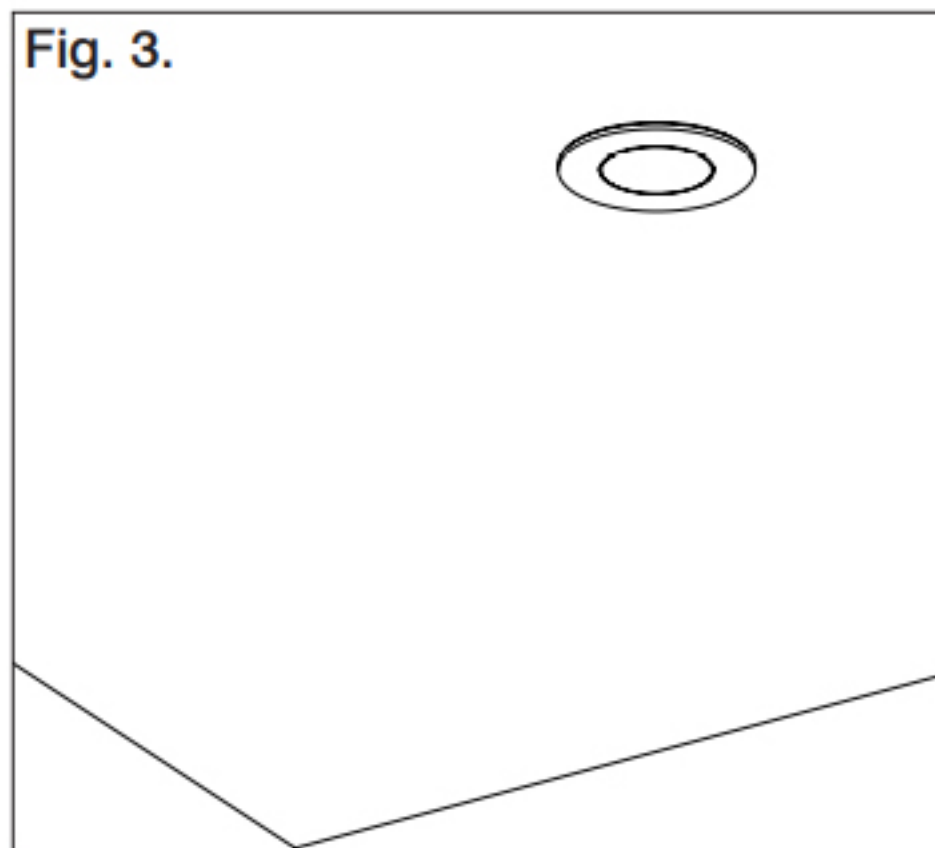
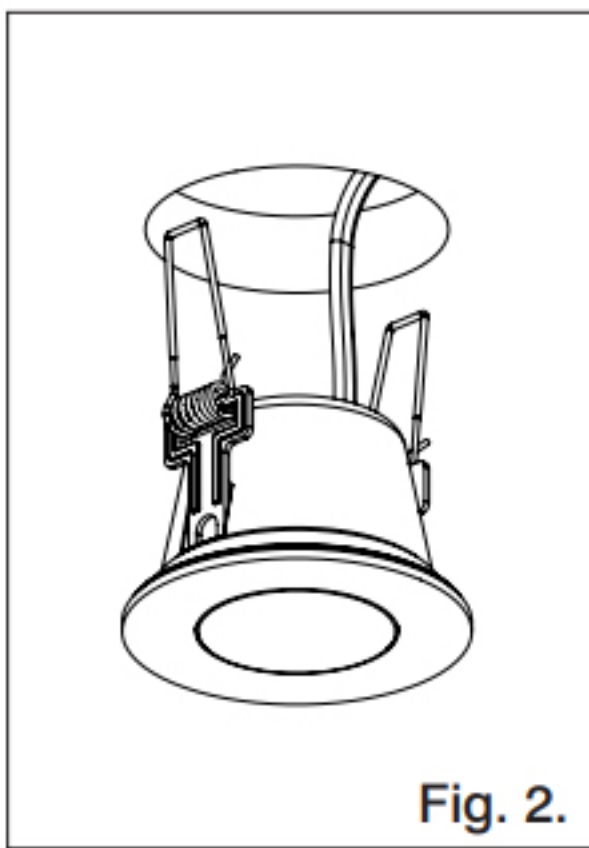
- The manufacturer reserves the right to improve the product specification without prior notice.
- The light source contained in this luminaire is not replaceable.
- This luminaire is double insulated; no earth is required.
- The maximum ambient operating temperature (ta rating) of this fitting is 40°C.
- The critical temperature (tc) of this fitting is 80°C. The tc point is marked on the top of the fitting.
- **DO NOT DISCONNECT UNDER LOAD!**

INSTALLATION:

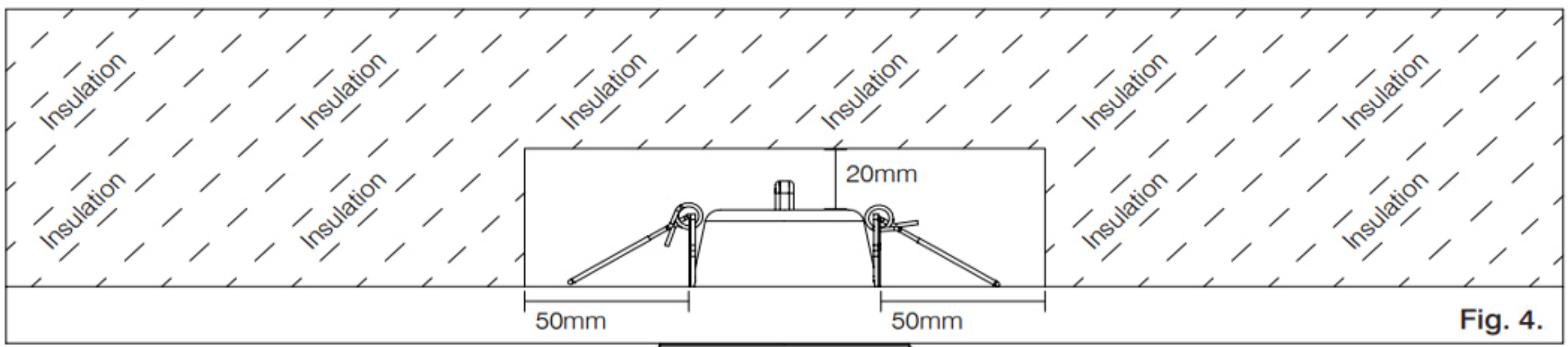
The OV3600 series of downlights are provided with pre-prepared conductors which will need to be connected to a relevant connector or alternative terminal block. There is no provision for earth within this fitting.



1. Cut hole in the chosen ceiling position (Fig. 1).
2. Connect conductors to the circuit.



3. Lift retaining springs to an almost vertical position (Fig. 2.). Take care during this step to avoid injury to fingers.
4. Insert the downlight into the ceiling (Fig. 3.). A moisture seal is provided to maintain the IP rating of the fitting. Removing this will compromise the ingress protection of the fitting.
5. This fitting is not suitable for direct thermal insulation cover. Scolmore recommends leaving a minimum of 20mm above and 50mm around the fitting to allow sufficient room for cooling (Fig. 4.).



WARNING!

If there isn't sufficient air space around the fitting, the operating temperature will increase which will significantly reduce the lifetime of the product.



**IF IN ANY DOUBT, CONSULT A QUALIFIED ELECTRICIAN
RETAIN THESE INSTRUCTIONS FOR FUTURE REFERENCE**

Errors & Omissions excluded. Specification is subject to change without notice.

OVIA Limited, Scolmore House, Mariner, Lichfield Road Ind. Estate, Tamworth, Staffordshire, B79 7UL

Telephone: 01827 300640
E-mail: technical@oviaUK.com

OVIA[®]
ScolmoreGROUP

Website: www.oviaUK.com

Rev. 2