

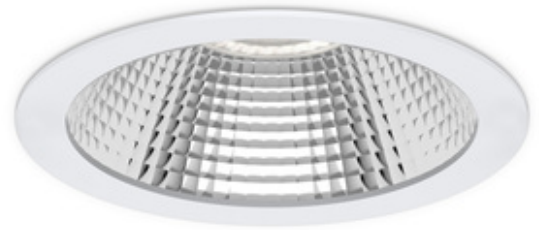
# JC5500

## CoraLED™ Plus

CoraLED™ Plus Commercial Downlight 13W IP54 3000K/4000K/5700K

### Features & Benefits

- 3CCT switchable as standard, 3000K/4000K/5700K
- 13W, 18W and 25W Options
- UGR19 as standard, designed to comply with BS EN 12464-1 lighting of workspace
- Up to 133 LpcW
- IP54 rated
- Low profile, suitable for shallow ceilings
- 60° beam angle with a Cri: of 85
- Non-dimmable flicker free driver
- DALI/1-10V/SW dim and DSI dimmable options
- Suitable for use with JCEM002/JCEM002ST remote emergency packs



BEAM



CLASS II



CRI:RA



RATING



<19



WARRANTY



COL SWITCH

### General Information

Mounting

**Recessed**

Environment

**Indoors**

Suitable For Zones

**Zone 2**

Product Group

**Downlights**

Color Finish

**White**

Product Shape

**Round**

Product Range

**Coral™ Plus**

Depth (mm)

**60.6**

Diameter (mm)

**228**

Product Weight(kg)

**0.49**

Light Source

**LED**

Additional Information

**Suitable for use with JCEM002/JCEM002ST emergency packs**

Minimum Void Requirement

**100mm**

Method Of Fix

**Spring clips**

Product Aperture Size

**Ø200-210mm**

IP Rating

**IP54**

Origin of manufacturer

**China**

Warranty	<b>2 years standard warranty extends to 5 years when registered within the first year of purchase (See Website for terms and conditions)</b>
LED Manufacturer/Type	<b>Runlite 2835</b>

## Electrical

Voltage Rating	<b>220-240</b>
Primary Running Current(Amp)	<b>0.08</b>
Inrush current(Amps)	<b>12.4</b>
Operating Frequency Hz	<b>50/60Hz</b>
Secondary running current(mA)	<b>350</b>
Constant Current or Constant Voltage	<b>Constant Current</b>
Luminaire Circuit Wattage	<b>13</b>
Class	<b>II</b>
Output Voltage Max/Range (VDC)	<b>30-40</b>
Total Harmonic Distortion (THD)%	<b>&lt;20</b>
EMC Compliant (EN55015)	<b>Yes</b>
Power Factor Correction	<b>0.9</b>
Input Electrical Connections	<b>Live, neutral</b>
Dimmable	<b>No</b>

## Thermals

Thermal Cut Out	<b>Yes</b>
Insulation Coverage	<b>Do not cover with insulation</b>
Minimum Void Requirement	<b>100mm</b>
Operating Temperature Range °C	<b>-20 to +40</b>

## Performance Data

LED Life (Hours)	<b>54000</b>
<b>Hours life stated is an indication of expected L70 chip and light output calculations when operating in optimum conditions.Product warranty period supports the full product during the term given. The L70 hours expectancy is not correlated withthe full product warranty term, nor is it a representation of lumen depreciation during the warranty period.</b>	
Energy Rating	<b>This product contains a light source of energy efficiency class D</b>
Actual Lumen Output	<b>1700</b>
Lumens Per Circuit Watt	<b>131</b>
Standard Deviation Colour Matching - SDCM	<b>&lt;6</b>
Color Rendering Index	<b>80-89</b>
CRI: Ra	<b>85</b>
Correlated Color Temperature	<b>3000/4000/5700</b>
Beam Angle °	<b>60</b>
LOR (Light Output Ratio) %	<b>100</b>
Photometry Available	<b>Yes</b>

## Construction

Heat Sink  
Driver Housing

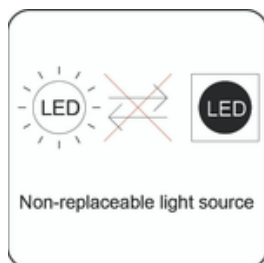
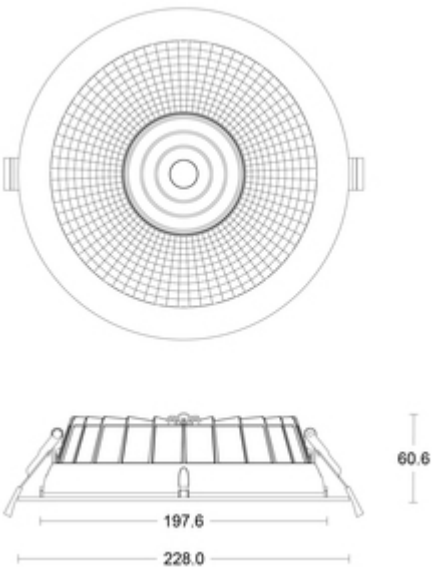
Aluminium  
Polycarbonate

## Packaging

Product carton overall dimensions(cm)	5 x 4 x 13.5
Product Packaged Weight(kg)	0.656
Quantity Per Outer Carton	24
Outer carton(L)- cm	55
Outer carton(W)- cm	53
Outer carton(H)- cm	48
Outer carton Net weight- kg	1.48
Outer carton Gross weight- kg	15.74
Product Bar Code EAN-13 Number	5052544116032
Outer carton Bar Code ITF-14 Number	15052544116077

## Standards & Approvals

Manufactured In Accordance To	BS EN 60598-2015
CE Marked	Yes
UKCA Marked	Yes
Date code/Purchase order No.	Yes
WEEE Symbol	Yes
Certificate Of Conformity	Available on request
Accredited Members	LIA, ISO9001-2015, ISO14001-2015



JCC Lighting LTD, Lux Park, Chichester Business Park, City Fields Way, Tangmere, Chichester, West Sussex, PO20 2FT.  
Sales: 01243 838999 (8am to 5pm Monday to Friday) Fax: 01243 838998 | [sales@jcc.co.uk](mailto:sales@jcc.co.uk) | [www.jcc.co.uk](http://www.jcc.co.uk)  
Company Registration Number: 03044848 | VAT Number: 918544112

This document is uncontrolled if printed, all information is subject to change

Version 146 [17/01/2023]

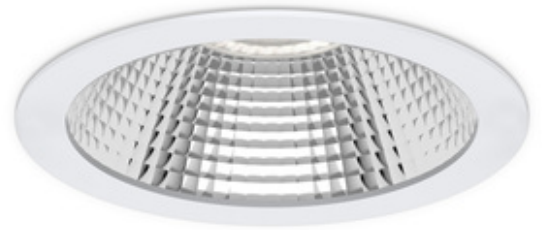
JC5503

## CoraLED™ Plus

CoraLED™ Plus Commercial Downlight 18W IP54 3000K/4000K/5700K

### Features & Benefits

- 3CCT switchable as standard, 3000K/4000K/5700K
- 13W, 18W and 25W Options
- UGR19 as standard, designed to comply with BS EN 12464-1 lighting of workspace
- Up to 133 LpcW
- IP54 rated
- Low profile, suitable for shallow ceilings
- 60° beam angle with a Cri: of 85
- Non-dimmable flicker free driver
- DALI/1-10V/SW dim and DSI dimmable options
- Suitable for use with JCEM002/JCEM002ST remote emergency packs



BEAM



CLASS II



CRI:RA



RATING



<19



WARRANTY



COL SWITCH

### General Information

Mounting

**Recessed**

Environment

**Indoors**

Suitable For Zones

**Zone 2**

Product Group

**Downlights**

Color Finish

**White**

Product Shape

**Round**

Product Range

**Coral™ Plus**

Depth (mm)

**60.6**

Diameter (mm)

**228**

Product Weight(kg)

**0.5**

Light Source

**LED**

Additional Information

**Suitable for use with JCEM002/JCEM002ST emergency packs**

Minimum Void Requirement

**100mm**

Method Of Fix

**Spring clips**

Product Aperture Size

**Ø200-210mm**

IP Rating

**IP54**

Origin of manufacturer

**China**

Warranty	<b>2 years standard warranty extends to 5 years when registered within the first year of purchase (See Website for terms and conditions)</b>
LED Manufacturer/Type	<b>Runlite 2835</b>

## Electrical

Voltage Rating	<b>220-240</b>
Primary Running Current(Amp)	<b>0.14</b>
Inrush current(Amps)	<b>16.2</b>
Operating Frequency Hz	<b>50/60Hz</b>
Secondary running current(mA)	<b>450</b>
Constant Current or Constant Voltage	<b>Constant Current</b>
Luminaire Circuit Wattage	<b>18</b>
Class	<b>II</b>
Output Voltage Max/Range (VDC)	<b>30-40</b>
Total Harmonic Distortion (THD)%	<b>&lt;20</b>
EMC Compliant (EN55015)	<b>Yes</b>
Power Factor Correction	<b>0.9</b>
Input Electrical Connections	<b>Live, neutral</b>
Dimmable	<b>No</b>

## Thermals

Thermal Cut Out	<b>Yes</b>
Insulation Coverage	<b>Do not cover with insulation</b>
Minimum Void Requirement	<b>100mm</b>
Operating Temperature Range °C	<b>-20 to +40</b>

## Performance Data

LED Life (Hours)	<b>54000</b>
<b>Hours life stated is an indication of expected L70 chip and light output calculations when operating in optimum conditions.Product warranty period supports the full product during the term given. The L70 hours expectancy is not correlated withthe full product warranty term, nor is it a representation of lumen depreciation during the warranty period.</b>	
Energy Rating	<b>This product contains a light source of energy efficiency class D</b>
Actual Lumen Output	<b>2400</b>
Lumens Per Circuit Watt	<b>133</b>
Standard Deviation Colour Matching - SDCM	<b>&lt;6</b>
Color Rendering Index	<b>80-89</b>
CRI: Ra	<b>85</b>
Correlated Color Temperature	<b>3000/4000/5700</b>
Beam Angle °	<b>60</b>
LOR (Light Output Ratio) %	<b>100</b>
Photometry Available	<b>Yes</b>

## Construction

Heat Sink  
Driver Housing

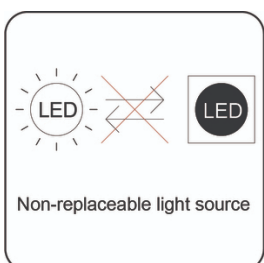
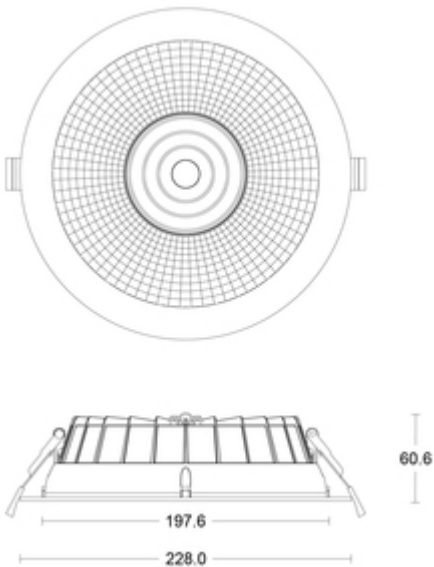
Aluminium  
Polycarbonate

## Packaging

Product carton overall dimensions(cm)	<b>5 x 4 x 13.5</b>
Product Packaged Weight(kg)	<b>0.671</b>
Quantity Per Outer Carton	<b>24</b>
Outer carton(L)- cm	<b>55</b>
Outer carton(W)- cm	<b>53</b>
Outer carton(H)- cm	<b>48</b>
Outer carton Net weight- kg	<b>1.48</b>
Outer carton Gross weight- kg	<b>16.10</b>
Product Bar Code EAN-13 Number	<b>5052544116063</b>
Outer carton Bar Code ITF-14 Number	<b>15052544116107</b>

## Standards & Approvals

Manufactured In Accordance To	<b>BS EN 60598-2015</b>
CE Marked	<b>Yes</b>
UKCA Marked	<b>Yes</b>
Date code/Purchase order No.	<b>Yes</b>
WEEE Symbol	<b>Yes</b>
Certificate Of Conformity	<b>Available on request</b>
Accredited Members	<b>LIA, ISO9001-2015, ISO14001-2015</b>



JCC Lighting LTD, Lux Park, Chichester Business Park, City Fields Way, Tangmere, Chichester, West Sussex, PO20 2FT.  
Sales: 01243 838999 (8am to 5pm Monday to Friday) Fax: 01243 838998 | [sales@jcc.co.uk](mailto:sales@jcc.co.uk) | [www.jcc.co.uk](http://www.jcc.co.uk)  
Company Registration Number: 03044848 | VAT Number: 918544112

This document is uncontrolled if printed, all information is subject to change

Version 142 [17/01/2023]

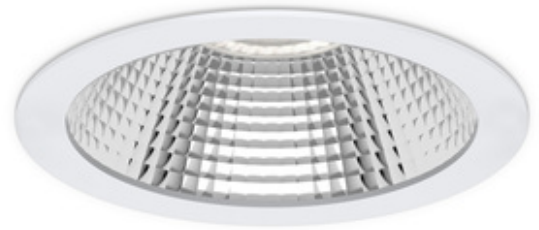
# JC5506

## CoraLED™ Plus

CoraLED™ Plus Commercial Downlight 25W IP54 3000K/4000K/5700K

### Features & Benefits

- 3CCT switchable as standard, 3000K/4000K/5700K
- 13W, 18W and 25W Options
- UGR19 as standard, designed to comply with BS EN 12464-1 lighting of workspace
- Up to 133 LpcW
- IP54 rated
- Low profile, suitable for shallow ceilings
- 60° beam angle with a Cri: of 85
- Non-dimmable flicker free driver
- DALI/1-10V/SW dim and DSI dimmable options
- Suitable for use with JCEM002/JCEM002ST remote emergency packs



60°  
BEAM



CLASS II



85  
CRI:RA



IP 54  
RATING



UGR  
<19



5yr  
WARRANTY



COL SWITCH

### General Information

Mounting

**Recessed**

Environment

**Indoors**

Suitable For Zones

**Zone 2**

Product Group

**Downlights**

Color Finish

**White**

Product Shape

**Round**

Product Range

**Coral™ Plus**

Depth (mm)

**60.6**

Diameter (mm)

**228**

Product Weight(kg)

**0.5**

Light Source

**LED**

Additional Information

**Suitable for use with JCEM002/JCEM002ST emergency packs**

Minimum Void Requirement

**100mm**

Method Of Fix

**Spring clips**

Product Aperture Size

**Ø200-210mm**

IP Rating

**IP54**

Origin of manufacturer

**China**

Warranty	<b>2 years standard warranty extends to 5 years when registered within the first year of purchase (See Website for terms and conditions)</b>
LED Manufacturer/Type	<b>Runlite 2835</b>

## Electrical

Voltage Rating	<b>220-240</b>
Primary Running Current(Amp)	<b>0.14</b>
Inrush current(Amps)	<b>16.2</b>
Operating Frequency Hz	<b>50/60Hz</b>
Secondary running current(mA)	<b>600</b>
Constant Current or Constant Voltage	<b>Constant Current</b>
Luminaire Circuit Wattage	<b>25</b>
Class	<b>II</b>
Output Voltage Max/Range (VDC)	<b>30-40</b>
Total Harmonic Distortion (THD)%	<b>&lt;20</b>
EMC Compliant (EN55015)	<b>Yes</b>
Power Factor Correction	<b>0.9</b>
Input Electrical Connections	<b>Live, neutral</b>
Dimmable	<b>No</b>

## Thermals

Thermal Cut Out	<b>Yes</b>
Insulation Coverage	<b>Do not cover with insulation</b>
Minimum Void Requirement	<b>100mm</b>
Operating Temperature Range °C	<b>-20 to +40</b>

## Performance Data

LED Life (Hours)	<b>54000</b>
------------------	--------------

Hours life stated is an indication of expected L70 chip and light output calculations when operating in optimum conditions. Product warranty period supports the full product during the term given. The L70 hours expectancy is not correlated with the full product warranty term, nor is it a representation of lumen depreciation during the warranty period.

Energy Rating	<b>This product contains a light source of energy efficiency class D</b>
Actual Lumen Output	<b>3300</b>
Lumens Per Circuit Watt	<b>132</b>
Standard Deviation Colour Matching - SDCM	<b>&lt;6</b>
Color Rendering Index	<b>80-89</b>
CRI: Ra	<b>85</b>
Correlated Color Temperature	<b>3000/4000/5700</b>
Beam Angle °	<b>60</b>
LOR (Light Output Ratio) %	<b>100</b>
Photometry Available	<b>Yes</b>

## Construction

Heat Sink  
Driver Housing

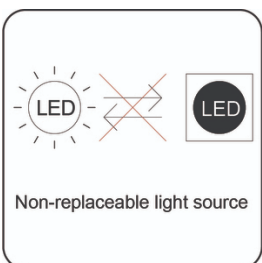
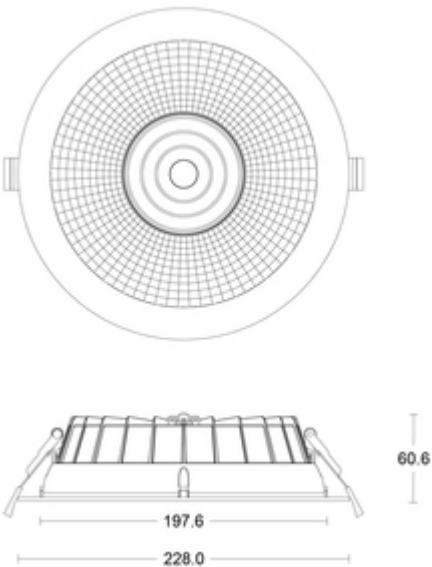
Aluminium  
Polycarbonate

## Packaging

Product carton overall dimensions(cm)	<b>5 x 4 x 13.5</b>
Product Packaged Weight(kg)	<b>0.692</b>
Quantity Per Outer Carton	<b>24</b>
Outer carton(L)- cm	<b>55</b>
Outer carton(W)- cm	<b>53</b>
Outer carton(H)- cm	<b>48</b>
Outer carton Net weight- kg	<b>1.48</b>
Outer carton Gross weight- kg	<b>16.61</b>
Product Bar Code EAN-13 Number	<b>5052544116094</b>
Outer carton Bar Code ITF-14 Number	<b>15052544116138</b>

## Standards & Approvals

Manufactured In Accordance To	<b>BS EN 60598-2015</b>
CE Marked	<b>Yes</b>
UKCA Marked	<b>Yes</b>
Date code/Purchase order No.	<b>Yes</b>
WEEE Symbol	<b>Yes</b>
Certificate Of Conformity	<b>Available on request</b>
Accredited Members	<b>LIA, ISO9001-2015, ISO14001-2015</b>



JCC Lighting LTD, Lux Park, Chichester Business Park, City Fields Way, Tangmere, Chichester, West Sussex, PO20 2FT.  
Sales: 01243 838999 (8am to 5pm Monday to Friday) Fax: 01243 838998 | [sales@jcc.co.uk](mailto:sales@jcc.co.uk) | [www.jcc.co.uk](http://www.jcc.co.uk)  
Company Registration Number: 03044848 | VAT Number: 918544112

This document is uncontrolled if printed, all information is subject to change

Version 142 [17/01/2023]