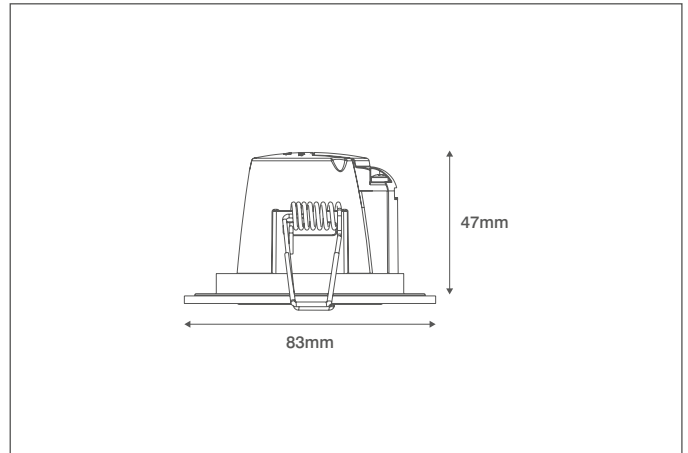


Description: 5.5W LED Dimmable Downlight IP65 WW Chrome



### General Information

Dimensions (mm)	83 (Dia.) x 47 (D)
Materials	Housing: ABS
Finish	Chrome
Product Weight (Kg)	0.1
Cutout Diameter (mm)	65
Recess Depth (mm)	47
Ingress Protection	IP65
Warranty (Years)	2

### Supply & Power Information

Continuous Operating Voltage (AC) (Hz)	220-240 (50/60)
Safety Class	II
Circuit Wattage (W)	5.5
Input Current (mA)	32
Power Factor	0.8
Operating Temperature (°C)	-15 to +40
Critical Temperature (°C)	+80
Driver Information	Integrated

### Compatible Accessories

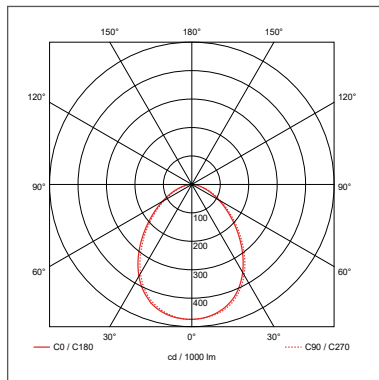
OVSP4120CH - 130mm Diameter Converter Plate - Chrome  
OEP6501 - 3 Hour Universal Emergency Pack with prewired Flow™ Connectors

### Luminaire Output

Colour Temperature (K)	2700
Colour Render Index (CRI)	>80
Typical Luminous Flux (lm)	340
Efficacy (lm/W)	61
Beam Angle (°)	90
LED Lifetime (L70) (Hours)	20000

### Dimming Information

Dimmable	Yes
----------	-----



OVIA Limited, Scolmore House, Mariner, Lichfield Road Industrial Estate,  
Tamworth, Staffordshire, B79 7UL United Kingdom  
T: +44 (0)1827 300640  
E: sales@oviaUK.com | W: oviaUK.com



Catalogue



Section



DoC



Installation

