



SCREENZONE RECESSED WARM AIR CURTAINS

**CATALOGUE NUMBERS
RAC0603, RAC0604, RAC1006
RAC0603RX, RAC0604RX, RAC1006RX**

INDEX	Section
General Information -----	1
Dimensions -----	2
Installation Details -----	3
Operation -----	4
Electrical Connections -----	5
Servicing & Maintenance -----	6

Consort Equipment Products Limited
Thornton Industrial Estate, Milford Haven
Pembrokeshire, SA73 2RT
Tel: 01646 692172 Fax: 01646 695195
Email: technical@consortepl.com Web: www.consortepl.com

1. General Information

1.1 Introduction

The heaters are designed for discreet positioning in a suspended ceiling or bulkhead in the doorways of retail or commercial premises. Overall energy saving is likely when the heater is sited above a frequently opened external door as the airstream can prevent heat loss. Will fit a recess as shallow as 195mm.

1.2 General

All installations must be in accordance with the regulations in force in the country of use.

These instructions must be handed to the user on completion of the installation.

Installers and service engineers must be able to demonstrate competence and be suitably qualified in accordance with the regulations in force in the country of use.

To ensure continued and safe operation it is recommended that the appliance is serviced annually. (See 7.1)

The heater outlet / inlet must not be obstructed during use.

1.3 Electrical Supply.

Electrical supply is 230/240V single phase, Neutral and Earth. The maximum cable inlet size is 4mm².

It is recommended that the electrical supply to the base unit in the heater is via an appropriate switched isolator in accordance with the regulations in force in the country of use and must be via a fused isolator having a contact separation of greater than 3mm on all poles.

BMS control, time switches, room thermostats and door interlocks can be installed at the discretion and responsibility of the installer.

All units must be wired in accordance with I.E.E regulations for the Electrical Equipment of Buildings and the installer should ensure that a suitable isolating switch is connected in the mains supply.

1.4 Controller `RX` models

The RAC0603RX, RAC0604RX, RAC1006RX heaters are supplied without a controller. The `RX` models will not work without the controller. See section 6.1 for more details.

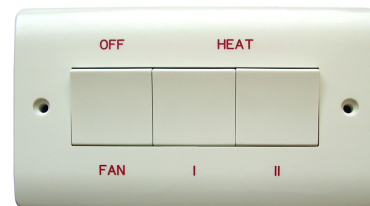
CONSORT **CRX2** Wireless controller



1.5 RX Controller Location

It is essential the Controller is positioned in the same room as the aircurtain. It should be where its temperature will not be change with local effects. Avoid:

- Draughty places near windows or doors
- Places near the aircurtain itself or any other heat sources in the room
- Place where the sun will shine on it
- Places where it may get wet



1.6 Controller standard models

The RAC0603, RAC0604, RAC1006 heaters are supplied with a remote controller. The remote control unit houses 3 double pole 20A rocker switches. The heater can also be controlled remotely via BMS or any controls with contact rated at 20A for RAC0603, RAC0604 and 30A for RAC1006. The controller is wired to the base unit via an appropriate sized cable specified by the current IEE standard.

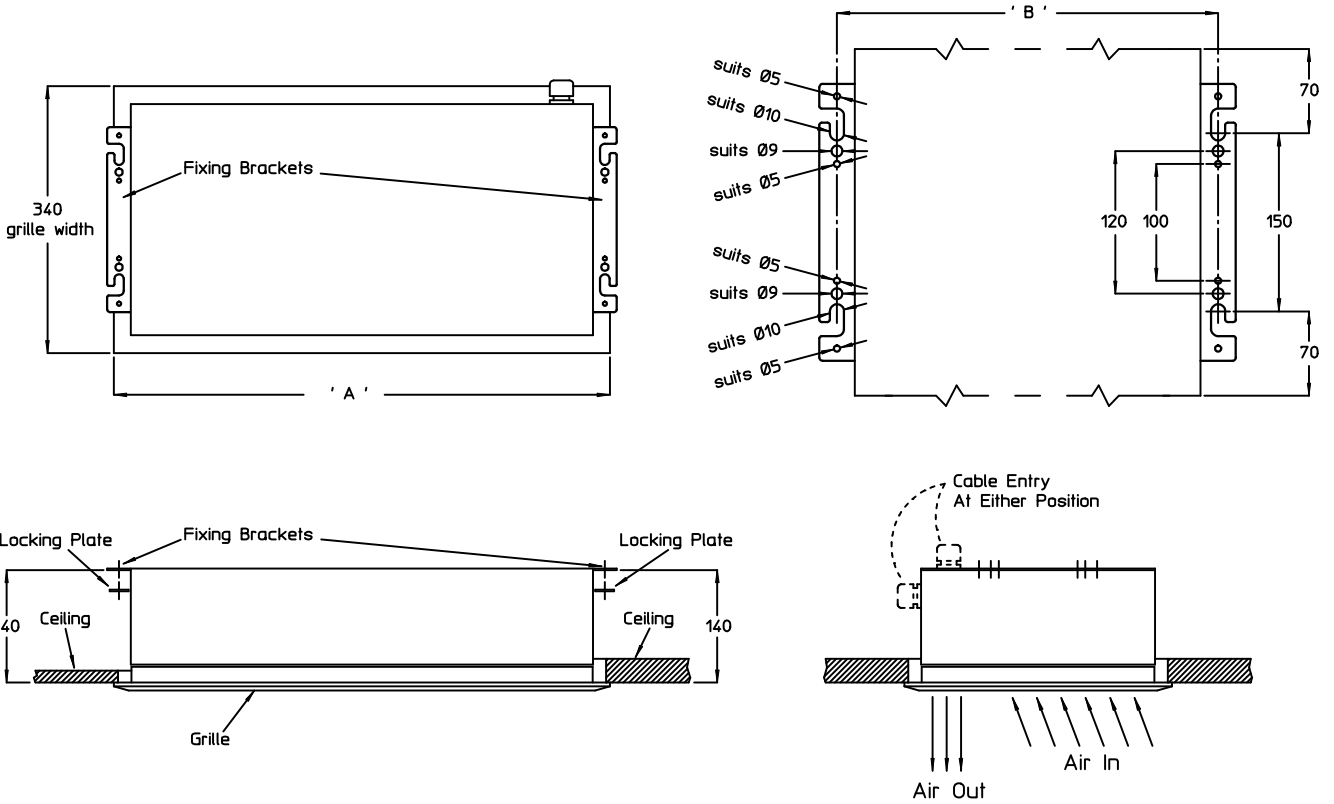
1.7 Clearance Distances

It is recommended that a minimum clearance of 100mm is allowed around the case and 55mm above. The clearance allows for cable entry and prevents combustible surfaces overheating.

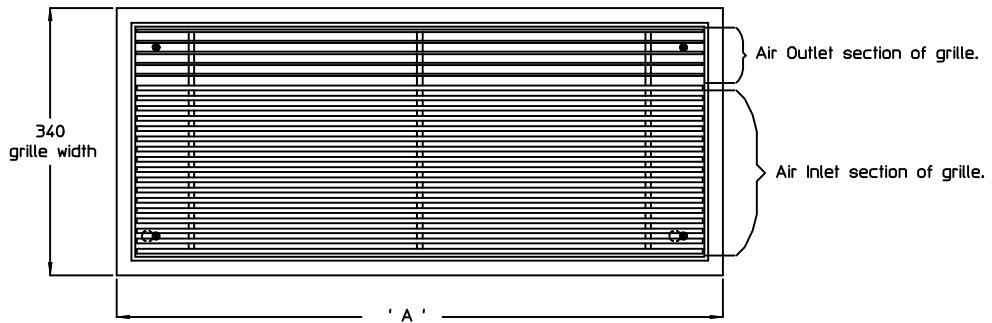
The minimum mounting height (floor to grille) is 2m. The maximum mounting height is 3m.

2. Dimensions

2.1 Air Curtain Dimensions



DIMENSION	RAC0603	RAC0604	RAC1006
' A '	618	618	930
' B '	608	608	920



3. Installation Details

3.1 Mounting

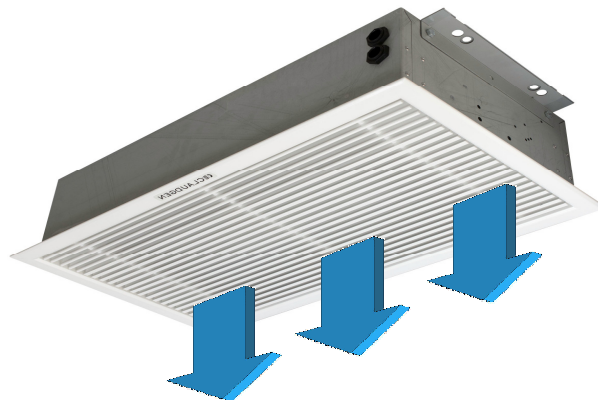
All units should be installed horizontally directly over the door opening. It is recommended that the air curtain is installed on the inside of the building, within the open room space against a wall or ceiling.

Care must be taken to allow complete free air movement into the inlet grilles of the unit to ensure correct working operation of the air curtain. The discharge opening should be as close to the top of the door as possible and cover the entire door width.

Units can be mounted adjacent to each other to cover the full door opening across wider entrances.

The weight of the RAC0603 and RAC0604 is 8kg

The weight of the RAC1006 is 11.5kg



ENSURE AIR OUTLET LOUVRES ARE NEAREST TO THE DOOR APERTURE.

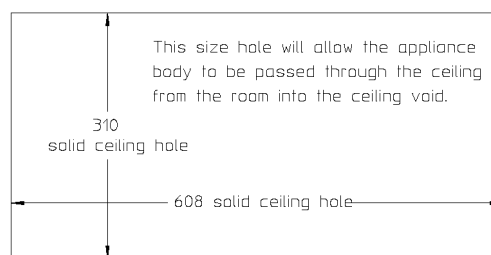


Fig.1 ceiling cutout for RAC0603 and RAC0604

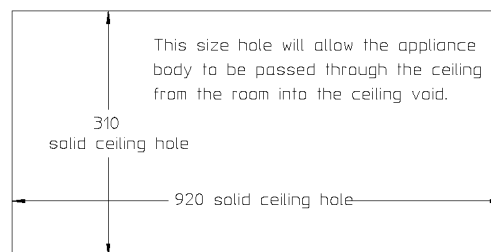


Fig.2 ceiling cutout for RAC1006

3.2 Electrical Installation

These units are suitable for connection to 230/240 Volt 50 Hz single phase supply.

The appliance shall be connected to the supply via an appropriate switched fused double pole isolator having a contact separation of greater than 3mm. Test for correct operation and refit the grille.

For connection to the mains supply it will be necessary to remove the grille from the unit. It will be necessary to connect the mains supply and the lead from the controls prior to refitting the cover. Wire in accordance to wiring diagrams.

For safety reasons, a sound earth connection must always be made to the unit before it is put to use. The unit should be wired in accordance with IEE Regulations for the Electrical Equipment of Buildings.

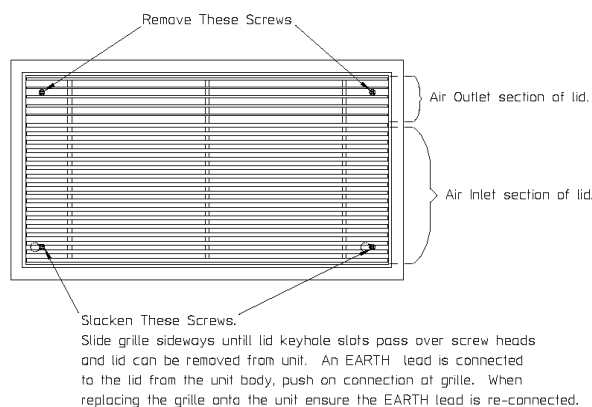


Fig.3 Grille fixings detail

3. Installation Details

3.3 Installation

! It is the sole responsibility of the installer to ensure that the points of attachment to the building are sound. Consultation with the consultant/architect or owner of the building is recommended to ensure that a sound, mechanically stable installation is achieved.

Before fitting or wiring the air curtain, ensure the outlet is facing the doorway as on the picture and see the general installation guidance notes.

Using a pozidrive screwdriver slacken the two M5 screws in the corners near air inlet side and remove the two M5 screws in opposite corner near the outlet. Slide the lid sideways until the keyhole slots pass over the screw heads. The grille assembly can now be removed from the case.

Each unit has 2 fixing brackets from which it is suspended. The brackets may be removed to assist in passing the air curtain through the recess then reattached when in-situ.

Either drop rods or catenary wire can be used to fasten the air curtain to the ceiling support structure.

The height between the ceiling face and the top of the air curtain case needs to be adjusted to circa 140mm to enable the grille assembly to fit flush with the ceiling. Adjust accordingly.

After fitting the product in the ceiling recess and adjusting the height to ensure that the grille sits flush to the ceiling (when re-fitted) take the grille assembly and refit using the screws removed.

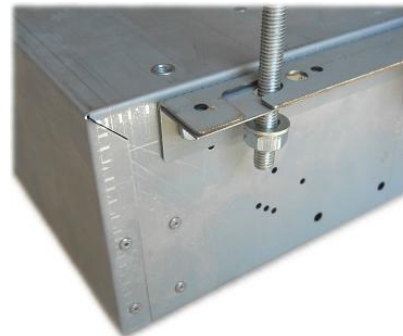
Fig.4 Fixing points



Fig.5 Wire fixing



Fig.6 Rod fixing



4. Electrical Connections

4.1 Electrical connections

With grille removed, connect the electrical supply and controls wiring to the appropriate terminals (see relevant wiring diagram section).

The unit has four holes for the cable entry, two on the top and two on the side. Cable entry may be moved to alternative position if desired (see Fig.8 drawing).

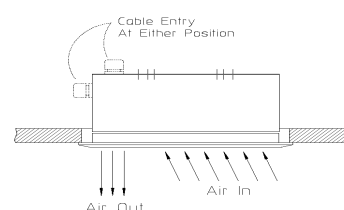
An **EARTH** lead is connected to the lid from the unit body, push on connection at grille. When replacing the grille onto the unit ensure the **EARTH** lead is re-connected. (see Fig.7)

Electrical supply is 230/240V single phase, Neutral and Earth. The maximum cable inlet size is 4mm².

Fig.7 Grille Earth lead



Fig.8 Cable entry position



5. Electrical Connections

5.1 Electrical connections for standard models

Fig.9 Mains supply direct to heater

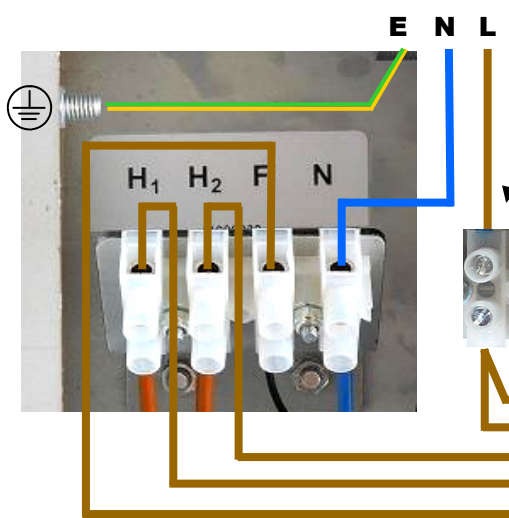


Fig.10 Remote switch terminal side view

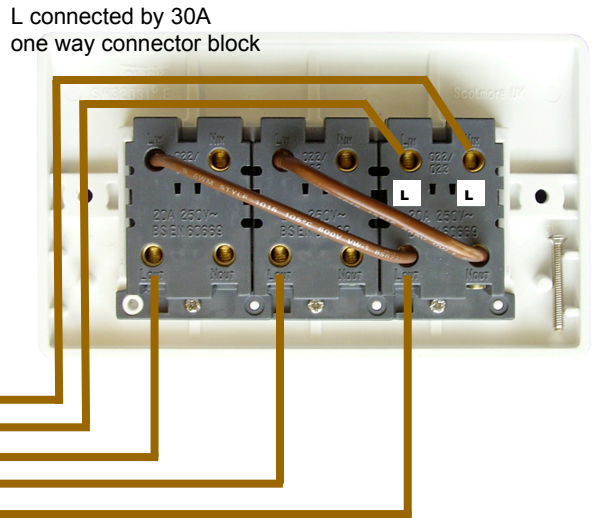
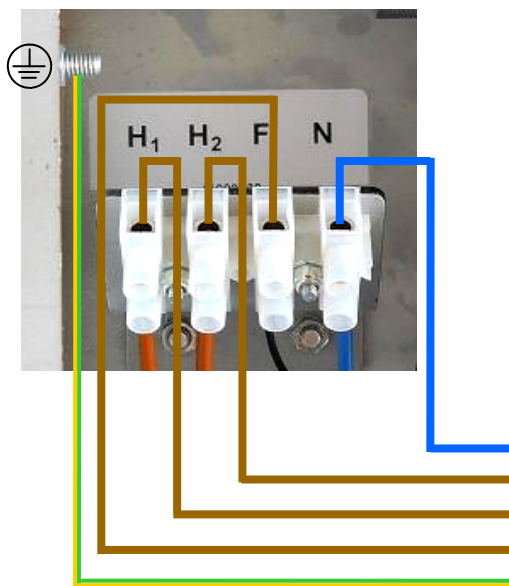
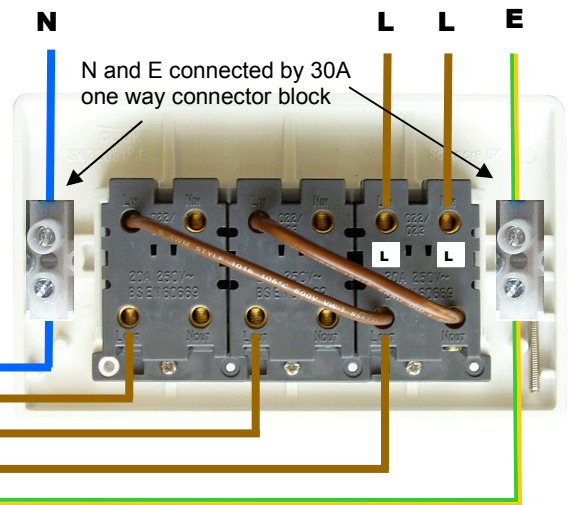


Fig.11 Mains supply via remote



- F - Fan
- H1 - Heating element 1
- H2 - Heating element 2
- N - Neutral
- E - Earth

Two independent live feeds must be used on 4,5kW and 6kW heaters as shown on the diagrams



5.2 Electrical connections without using the remote switch standard models

If the heaters are to be controlled by means other than the remote switch supplied, eg BMS, then the heat output can be selected by connecting the appropriate terminals.

Fig.12 Wiring of the heaters without using remote switch

WIRED TERMINALS	RAC0603	RAC0604	RAC1006
H1 + H2 + F	3000W	4500W	6000W
H1 + F	1000W	1500W	2000W
H2 + F	2000W	3000W	4000W

! Please note the 'F' terminal must always be connected !

5. Electrical Connections

5.3 Electrical connections for wireless control models

Fig.13 'L' and 'N' connections

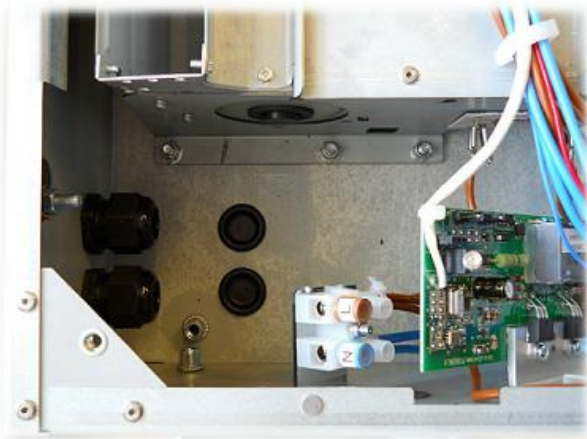
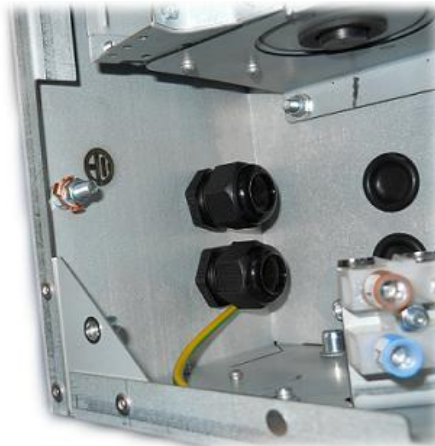


Fig.14 Earth connection



6. Operation

6.1 Models for wireless controls

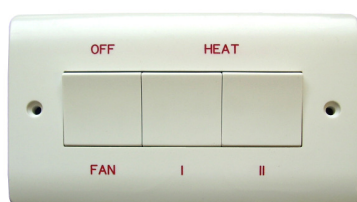
The wireless controlled models RAC0603RX, RAC0604RX and RAC1006RX can be controlled by CONSORT wireless controller CRX2. The heaters will not work without a controller. Each controller has a unique identification code, it can control an unlimited number of heaters and will not interfere with other controllers within the building. For more details please follow the instructions supplied with the controller.



6.2 Standard models

All standard RAC heaters are supplied with a remote switch that gives the following functions; On/off, fan only and heat.

For thermostatic control, a room thermostat of appropriate switch rating maybe connected to the circuit. The thermostat should be wired between the isolator switch and the heater remote switch. For RAC0604 and RAC1006, or to control more than one RAC0603 heaters by a thermostat, a contactor or a relay in conjunction with the thermostat should be used.



To switch on the appliance and operate the blower, depress the left-hand switch (marked "FAN").

When the centre switch only (marked with a single bar) is depressed the heat output is $\frac{1}{3}$ of full heat.
RAC0603 - 1kW, RAC0604 - 1.5kW, RAC1006 - 2kW

When the right hand switch only (marked with a double bar) is depressed the heat output is $\frac{2}{3}$ of full heat.

RAC0603 - 2kW, RAC0604 - 3kW, RAC1006 - 4kW

When both the centre switch and the right-hand switch are depressed the full heat output is available.
RAC0603 - 3kW, RAC0604 - 4.5kW, RAC1006 - 6kW

7. Servicing & Maintenance

7.1 Maintenance

! ALWAYS ENSURE THAT THE MAIN EXTERNAL ELECTRICITY SUPPLY IS SWITCHED OFF BEFORE COMMENCING ANY MAINTENANCE ON THIS HEATER.

To obtain the best results from the heater, it is essential to avoid the accumulation of dust and dirt within the unit on the air inlet and discharge grilles. For this reason regular cleaning is necessary, paying particular attention to the removal of dirt build up on the rotor blades.

Cleaning of the fan is best carried out with a soft brush.

The product should be serviced annually.

Servicing shall be undertaken by a competent person.

7.2 General

If the air curtain does not operate after switching on, then a suitably competent service engineer should be called to identify the nature of the fault.

All Air Curtains are fitted thermal cut-outs and motor thermal protection.

Other faults in relation to the element, motor and wiring should be identified using conventional fault finding techniques.

In the event that electrical components are replaced, please ensure that electrical safety checks in accordance with the regulations in force in the country of use are undertaken.

7.3 Thermal and fault protection

The units are protected from overheating in the event of fan failure or an obstruction of the free air-flow by thermal cut-outs.

If this happens, the thermal cut-outs effectively switch off the appliance by disconnecting power to the control circuit. The appliance will not operate until the thermal cut-outs are manually reset. This should be done by a competent electrician.

The heaters are also protected by thermal fuses to prevent catastrophic failure. The thermal fuse will trip and disconnect power to the affected heater. Thermal fuses are not resettable.

7.4 Fault Conditions

If the heater will not operate, disconnect it from the mains and arrange for a certified electrician to attend to investigate the reason.

7.5 Replacing Fan Heater Assembly

Remove the lid.

Disconnect the internal wiring from the main terminal block. Remove the four nuts and washers fixing the fan heater assembly to the back of the case. The fan heater assembly can now be eased forward and removed from the heater case. Fit replacement fan heater and reassemble in reverse order.

7.6 Spares

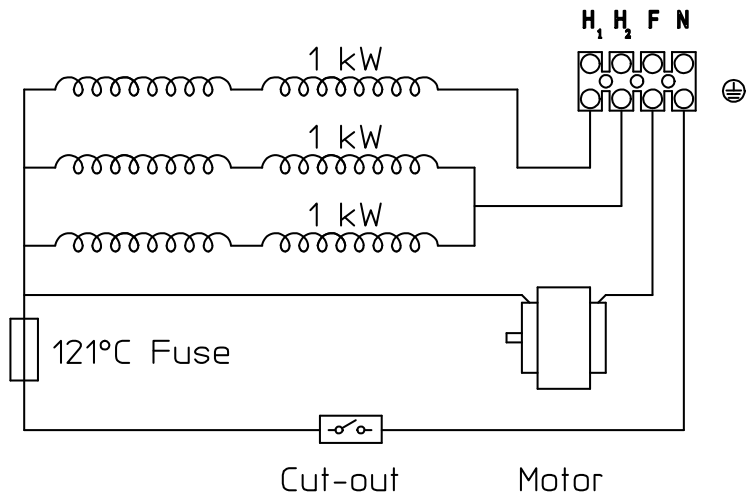
It is essential when ordering spares or replacement parts to state the model number and the serial number on the rating plate fixed to the top of the unit.

In the interest of progress the Company reserve the right to vary specifications from time to time without notice. The material listed is offered subject to the Company's General Conditions of Sale, a copy of which can be obtained on request.

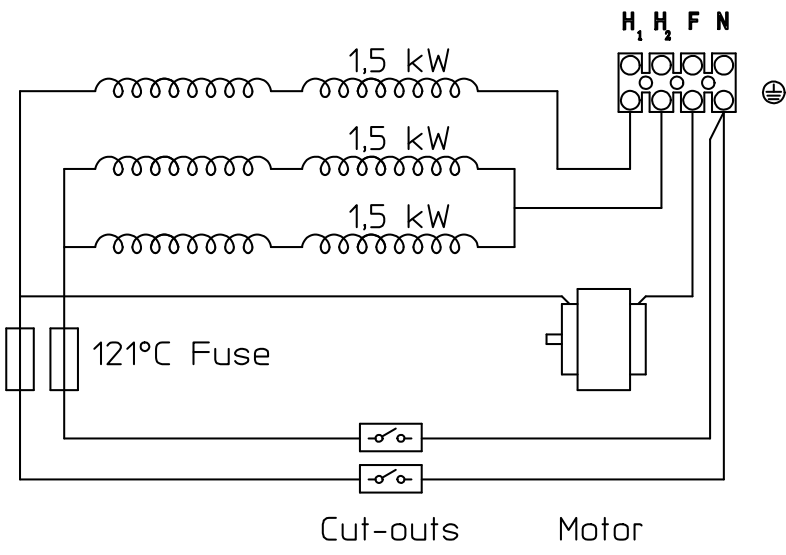
Consort Equipment Products Ltd

Registered Office: Thornton Industrial Estate
Milford Haven, Pembrokeshire, SA73 2RT
Tel: 01646 692172 Fax: 01646 695195

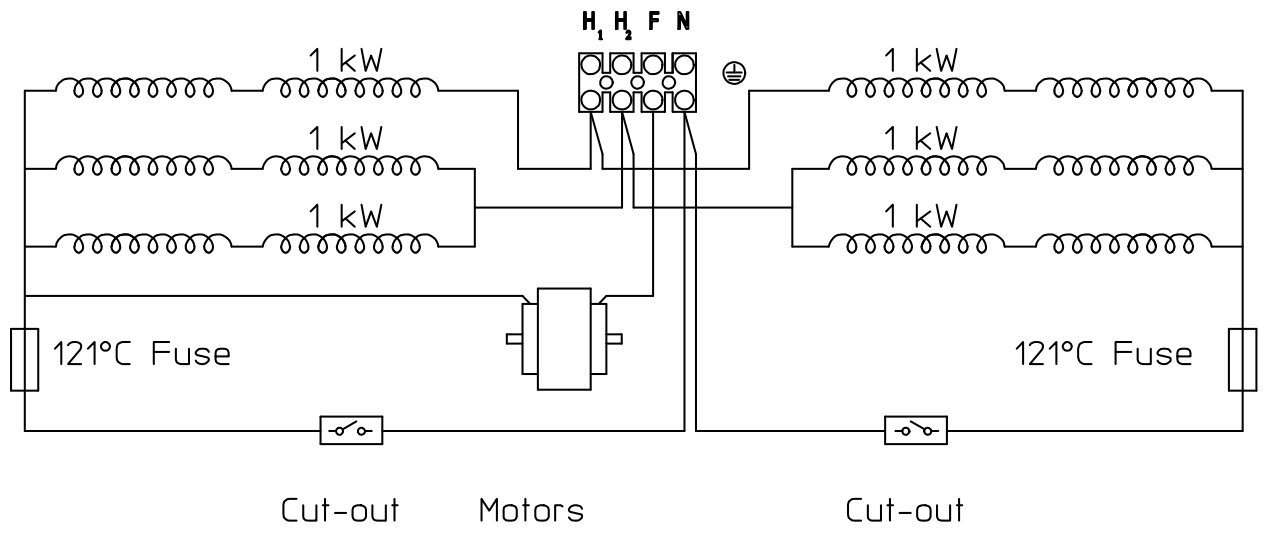
BS EN ISO 9001 Registered Company No FM12671



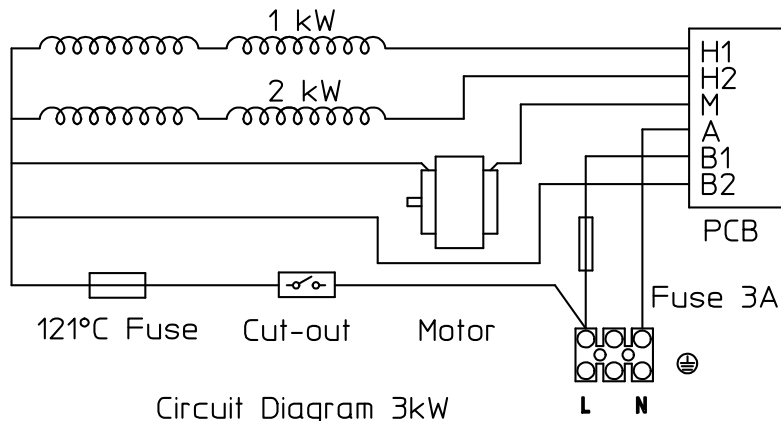
Circuit Diagram 3kW Heaters



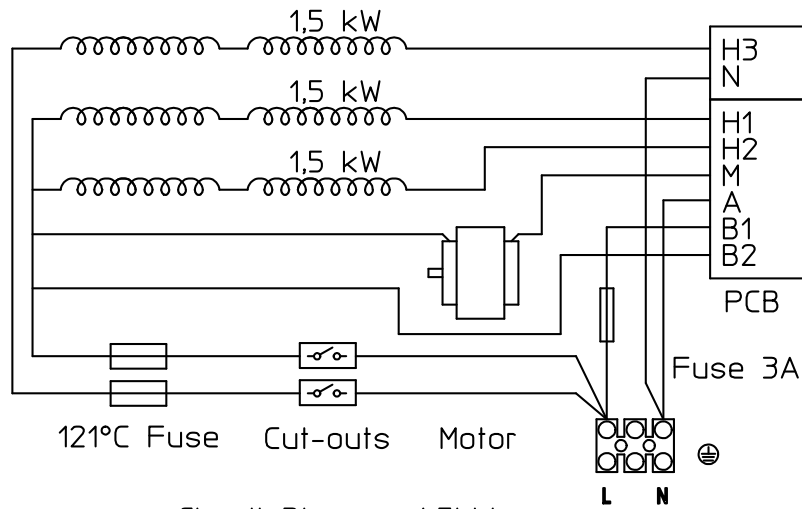
Circuit Diagram 4,5kW Heaters



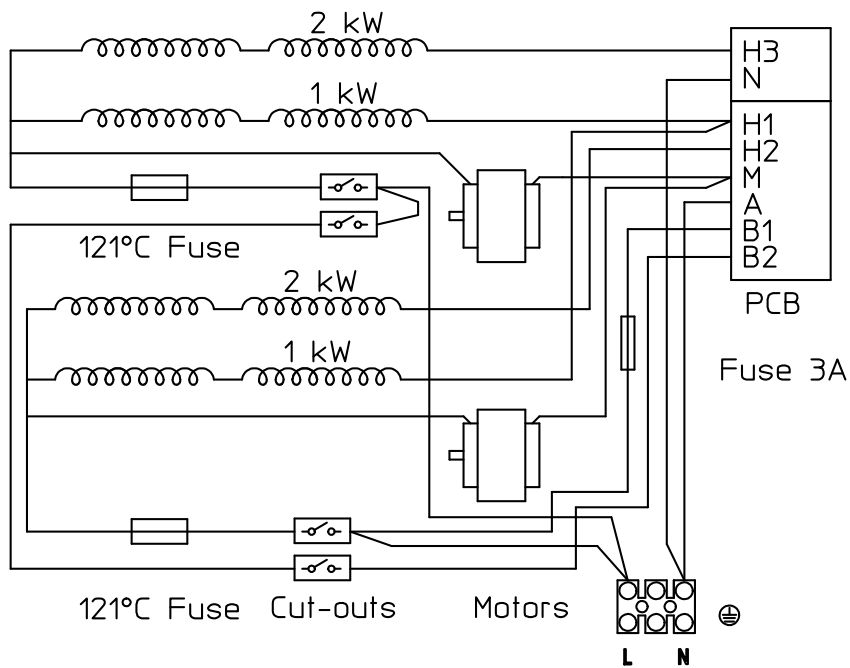
Circuit Diagram 6kW Heaters



Circuit Diagram 3kW
Heaters for Wireless Controls



Circuit Diagram 4.5kW
Heaters for Wireless Controls



Circuit Diagram 6kW
Heaters for Wireless Controls