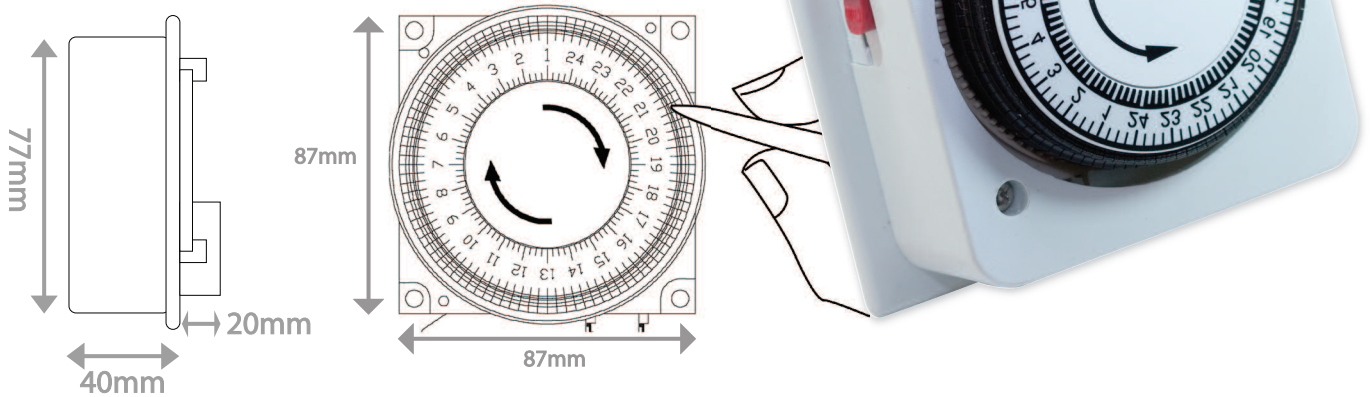


Data Sheet

LG-MIHT

- IP20 - Mechanical Immersion Heater Timer Switch
- Designed to automatically switch an Immersion Heater on and off
- IP20 - Protected from touch by fingers and objects greater than 12 millimeters. Not protected from liquids
- 96 x 15 minute timer tabs, giving you the option of 96 ON or OFF settings per day
- Surface mounted • For indoor use only

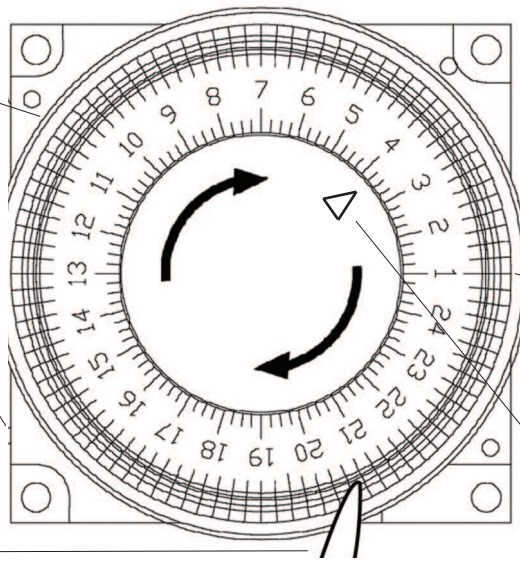


Code	LG-MIHT
Description	Mechanical Immersion Heater Timer Switch
Size	87mm (H) x 87mm (W) x 40mm (D)
Range	Selectric Energy Saving Products
Colour	Black & white
Material	Polycarbonate body & brass pins
Included	Instructions
Weight	0.143kg
Inner Carton Quantity	1
Inner Carton Weight	0.170kg
Barcode	5025117987346
Commodity Code	8536690000
Standards	EN 60730-1,, EN 60730-2 & EN 608035-1
Notes	<ul style="list-style-type: none"> • Automatically switches ON/OFF up to 96 times a day • Minimum back box depth required: 20mm • CE Marked

Timer tabs can be raised for "OFF" position
Push down for "ON" position

"Live" In & Out & "Neutral" In & Out ports to the rear

With your finger, pen or small screwdriver, press down all segments corresponding to the required "ON" settings



Override switch enables you to switch an appliance or device from timed to permanently on

Each timer tab has a duration of 15 minutes and is linked to the times on the dial

Turn outside dial in a clockwise direction until "present time" aligns with pointer.

Rated Load	4000W
Rated Current	16 Amp
Capacity	13 Amp resistive load
Timer Settings Available	96
Input	240V / AC
Hertz	50Hz
Min - Max Temp	0-55°C
Max Wattage	4000W
Wall Mounting?	Yes
Suspended Mounting?	No
Ceiling Mounting?	No
Built-in Mounting?	No
Surface Mounting?	Yes - Minimum back box depth required: 20mm
Protection Class / IP Rating	IP20
Mechanical / Digital?	Mechanical / Manual
Indoor / Outdoor Use?	Indoor only