

CLEANING

Always disconnect the appliance from the mains before cleaning.

The appliance should not require any maintenance, but it is strongly advised that it is kept clean.

An occasional wipe over with a soft cloth is all that should be necessary.

- Do NOT use metal or furniture polish on any part of the appliance.
- Do NOT touch the appliance with wet hands.

If the supply cord on this appliance is damaged, it must be replaced by a cord which is available from an Authorised Service Dealer.

IF YOUR HEATER DOES NOT WORK

- Check that the plug is firmly pushed into the wall socket with the socket switched to ON.
- Check that the socket is live by using another appliance in it. (If it is not live check the fuse at the distribution board).
- Check that the plug is wired correctly.
- Check that the plug fuse has not blown. (This can be done by replacement with another suitable fuse).
- If you are replacing a fuse in the plug a 5 Amp fuse approved by ASTA to BS1362 must be used.
- Check and read section under Thermal operated cut-out.
- Should none of the above remedies work then disconnect heater from the mains and consult an accredited service agent.
- If the appliance is still under guarantee, return it to your supplier.

IMPORTANT – ALWAYS RETAIN YOUR USER INSTRUCTIONS FOR FUTURE REFERENCE.

SAFETY

This equipment has been designed and manufactured to the highest international standards, but, like all electrical appliances which are operated by mains voltage, care must be taken if you are to obtain the best results and safety is to be assured.

NOTE: The appliance is not intended for use by persons (including children) with reduced physical, sensory or mental capabilities, or lack of experience and knowledge unless they have been given supervision or instruction concerning use of the appliance by a person responsible for their safety.

Children should be supervised to ensure that they do not play with the appliance

- Ensure that nothing is pushed into any aperture of this appliance.
- Do NOT touch outlet grille when appliance is in use.
- Do NOT cover or restrict any aperture of the appliance when in use.
- Do NOT use the appliance if damaged.
- Do NOT leave the appliance unattended where young children are present.

This appliance meets the requirements of EMC Directive 89/336/EEC.

GUARANTEE

This guarantee is offered to you as an extra benefit and does not affect your legal rights.

All electrical appliances produced for the Company are guaranteed for one year against faulty material or workmanship. This applies only if the appliance has been used for purposes in accordance with the instructions provided and has not been connected to an unsuitable electricity supply, or subject to misuse, neglect, damage or modified or repaired by any person not authorised by us.

The correct electricity supply voltage is shown on the rating label attached to the appliance.

CUSTOMER HELPLINE

Should you need any advice on the use of your new Consort product, or should you require service or repair, please contact our Helpline:

Operating hours: Mon to Thu 8.30am to 4.30pm | Fri 8.30am to 3.30pm

Consort Equipment Products Limited

Thornton Industrial Estate, Milford Haven, Pembrokeshire, SA73 2RT

Tel: 01646 692172 | Fax: 01646 695195

Email: technical@consortep.com | Web: www.consorptep.com

CONSORT

Quality Space Heaters

Using and looking after your

Frost Fighter

Multi Purpose Heater

Catalogue Numbers: UHA05 & UHA10S



Please read and retain these instructions

BEFORE USE

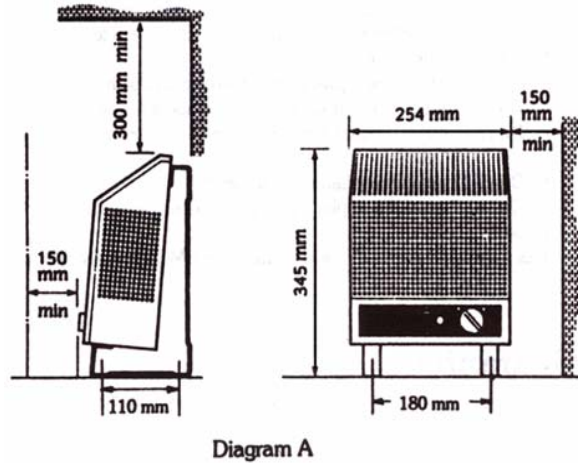
If your appliance is to be used unattended for long periods (eg lofts), the unit should be permanently mounted.

WALL MOUNTING INSTRUCTIONS

The appliance must be fixed to the wall in the upright position as shown in diagram A with the control panel at the bottom.

For rigid fixing of the appliance use 4 off no 8 x 1" long round head wood screws (not supplied).

Mark on the wall the position of the keyhole mounting holes making sure they are horizontal and on 180 mm centres. Reference should be made to Diagram A for mounting restrictions. Drill out holes and insert rawlplugs. Screw 2 screws into the wall until approximately 2.5 mm of the screws, excluding the head, is left exposed, see Diagram C. Position unit on wall locating screws into keyhole slots. Mark off onto wall the 2 lower fixing screw positions; remove the unit from the wall. Drill and rawlplug lower fixing holes, and re-position unit on upper screws and secure to the wall with lower fixing screws.



FLOOR MOUNTING/FREE STANDING

Your appliance can be used in the following ways; diagrams A & B show size of unit and minimum operating distances.

Do not use this heater in the immediate surroundings of a bath, a shower or a swimming pool.

The heater must not be located immediately below a fixed socket outlet.

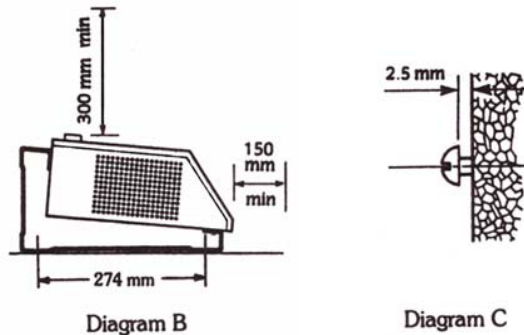
The heater can be fixed to the floor in two ways as shown in Diagrams A & B.

For the method of fixing to the floor, refer to wall mounting instructions which are very similar.

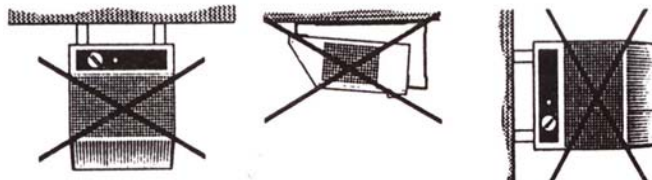
WARNING – If used in a bathroom this appliance must be wall mounted so that no part of it can be touched by any person using a bath or shower and must be installed in accordance with the IEE wiring regulations.

This appliance is fitted with a 13 Amp plug protected by a 5A fuse. If the plug is not suitable for your socket it should be removed and the correct plug fitted in accordance with the instructions in the leaflet.

Where this appliance is to be used in areas subject to moisture, dampness and severe changes in temperature, it is recommended that the appliance is connected directly to fixed wiring via an RCCB, in accordance with the latest IEE Wiring Regulations.



THIS APPLIANCE SHOULD **NOT** BE POSITIONED
IN THE FOLLOWING WAYS:-



CONTROLS

Model UHA05 has a heat rating of 0.45 kW. Model UHA10S, which is fan assisted, has a heat output of 1.0 kW and incorporates a switch which controls the element. With the switch in the position shown in Diagram D, both element and fan are engaged.

With the switch in the position shown in Diagram E the fan only will run.

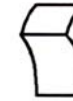


Diagram D

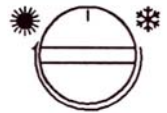


Diagram E

Both these switch settings are subject to thermostat control.

THERMOSTAT

Your appliance is fitted with a thermostat. To set the thermostat to the require temperature turn the control knob fully clockwise, to the position shown in the diagram. When desired room temperature is reached, turn the knob slowly anti-clockwise and when the thermostat clicks off leave the control at this setting. Thereafter the appliance will control the heat output automatically.



A 'Frost Fighter' position is marked on the unit. This is the lowest setting on the thermostat and represents approximately 5°C.

FROST FIGHTER SETTING

Your appliance can be used in various situations to protect against frost.

Examples are; in the attic, protecting water tanks and pipes.



To set the unit to function in these environments, turn the thermostat knob anti-clockwise to the 'frost fight' position, as shown in the diagram.

The thermostat is now set at approximately 5°C. This means that when the air temperature around the unit drops below approximately 5°C the unit will switch itself on. It will continue to operate until the air temperature surrounding the unit rises above 5°C and then will switch itself off, coming back on again when the temperature starts to drop.

THERMAL OPERATED CUT-OUT

The appliance is fitted with an Electronic Safety Control (ES). This is a safety device which switches the heater off if for any reason the appliance overheats. The ES Control can only be re-set after the appliance has cooled down. In order to re-set the ES Control proceed as follows:

- Switch off appliance and leave for approximately 5 minutes.
- Switch appliance back on and the ES Control will re-set.
- Ensure that the appliance is functioning correctly. If the ES Control operates again, the appliance should be checked by a competent Electrician.

The heater carries a 'DO NOT COVER' label to warn the user of the risk of overheating that can occur if the heater is accidentally covered.

NOTE:

**The element in this appliance takes several minutes to heat up.
Do not force the thermostat knob past its stop.**