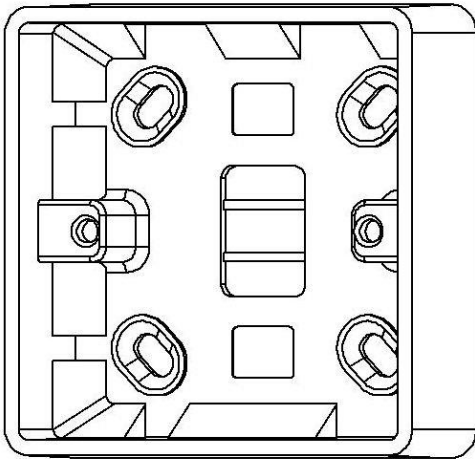


## Vimark Curve Pattress Boxes



### Description

A range of back boxes in the Vimark Curve style for surface mounting of wiring accessories.

### Features

- Surface mounted
- Urea Moulded
- Rounded corners to match Vimark Curve
- 1g fixing centre pitch 60.3mm
- 2g fixing centre pitch 120.6mm
- 1g and dual box suitable for 86mm x 86mm wiring accessories
- 2g box suitable for 146mm x 86mm wiring accessories
- Surface cable entry breakouts along all sides and in corners
- 25-year guarantee

### Range

1 gang 16mm deep with earth terminal	VC1220E
1 gang 25mm deep	VC1221
2 gang 25mm deep	VC1223
1 gang 33mm deep	VC1222
2 gang 33mm deep	VC1224
1 gang 45mm deep	VC1228
2 gang 45mm deep	VC1229

### Technical Specification

Material	Urea Formaldehyde
Fixing screws	M3.5

No user serviceable parts

### Standards

- BS 5733