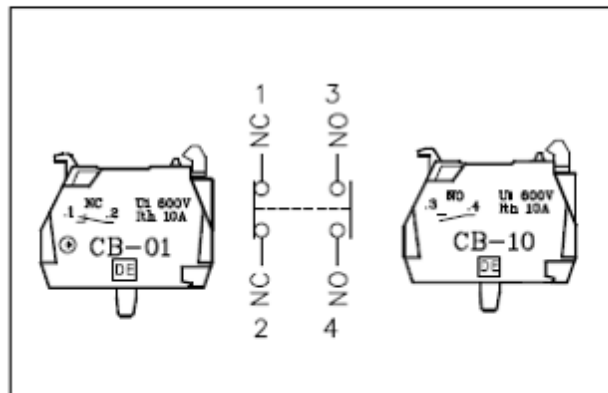




Contact Blocks:1alb Color:Red



Standard	  EN 60947-1:2007 EN60947-5-1:2004+A1							
Ratings								
Rated frequency f	Hz	50/60						
Thermal current I _{th}	A	10						
Enclosed Thermal current I _{the}	A	10						
Utilization category	-	AC-12		AC-15		DC-12		
Operational Voltage U _e	V	480	600	120	240	120	240	480
Operational Current I _e	A	1,5	1,2	5	3	2,2	0,6	0,4
Conditional short-circuit current	A	1000						
Kind of SCPD	-	Fuse						
Rating of SCPD	A	10A gG						
Insulation Voltage U _i	V	600						

Mechanical datas		
Type of terminal	-	M3,5
Tightening torque	Nm	0,8
Further specifications		
IP-enclosure	-	IP 66

Standard	 	
Mode	Type	Electrical Ratings
DFP-B11R	Foot and Plam Switch	Contact : NO/NC 600V, 5A Resistive Contact : NO/NC 300V,10A Resistive



1DE.SP21NR