

Bulkheads



CCT switchable between 3000K, 4000K & 6500K

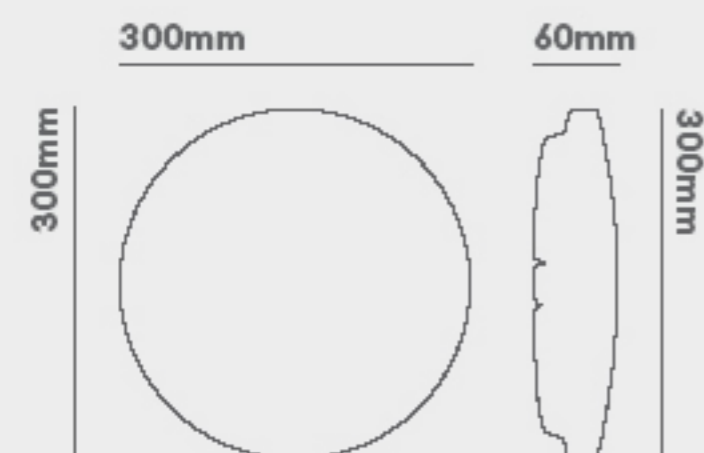


Quick and easy installation bracket



Emergency option available

Guarantee	3 years
Wattage	10W
IP rating	IP44
Dimmable	No
Input	220-240V 50/60Hz
LED lifetime	35,000h L70
Emergency version available	Yes
Sensor available	Microwave
Install connector type	4 ways, push-fit
Ambient temperature	-20° to 40°C
Electric class	2



WL94 10W

IP44 LED slim decorative Bulkhead

3 in 1

stock less & sell more



Product code	Finish	Type	Wattage	Colour	Beam	lm	lm/W	lx at 1m
WL9410CCS	White	Emergency Microwave sensor	10W	3000K	120°	1000	100	288
				4000K	120°	1100	110	317
				6500K	120°	1100	110	317
WL9410ECS	White	Emergency	10W	3000K	120°	1000	100	288
				4000K	120°	1100	110	317
				6500K	120°	1100	110	317
WL9410MCS	White	Microwave sensor	10W	3000K	120°	1000	100	288
				4000K	120°	1100	110	317
				6500K	120°	1100	110	317
WL9410SCS	White	Standard	10W	3000K	120°	1000	100	288
				4000K	120°	1100	110	317
				6500K	120°	1100	110	317

WL94 18W

IP44 LED slim decorative Bulkhead

3 in 1

stock less &
sell more



Product code	Finish	Type	Wattage	Colour	Beam	lm	lm/W	lx at 1m
WL9418CCS	White	Emergency Microwave sensor	18W	3000K	120°	1800	100	518
				4000K	120°	2000	111	576
				6500K	120°	2000	111	576
WL9418ECS	White	Emergency	18W	3000K	120°	1800	100	518
				4000K	120°	2000	111	576
				6500K	120°	2000	111	576
WL9418MCS	White	Microwave sensor	18W	3000K	120°	1800	100	518
				4000K	120°	2000	111	576
				6500K	120°	2000	111	576
WL9418SCS	White	Standard	18W	3000K	120°	1800	100	518
				4000K	120°	2000	111	576
				6500K	120°	2000	111	576

Bulkheads



CCT switchable between
3000K, 4000K & 6500K



Quick and easy
installation bracket



Emergency option
available

Guarantee	3 years
Wattage	18W
IP rating	IP44
Dimmable	No
Input	220-240V 50/60Hz
LED lifetime	35,000h L70
Emergency version available	Yes
Sensor available	Microwave
Install connector type	4 ways, push-fit
Ambient temperature	-20° to 40°C
Electric class	2

