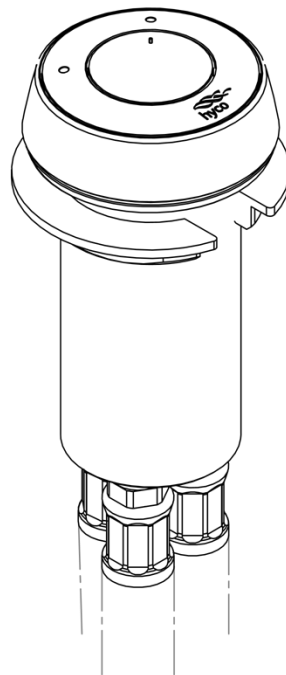




Product Instruction Manual

Zen Crossover Valve

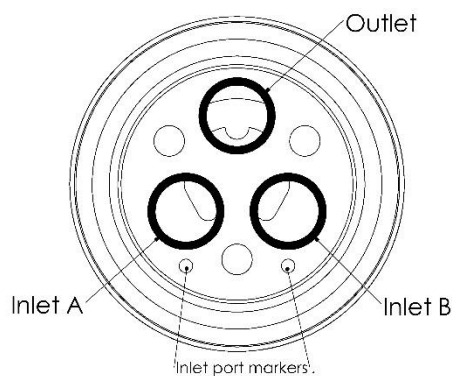
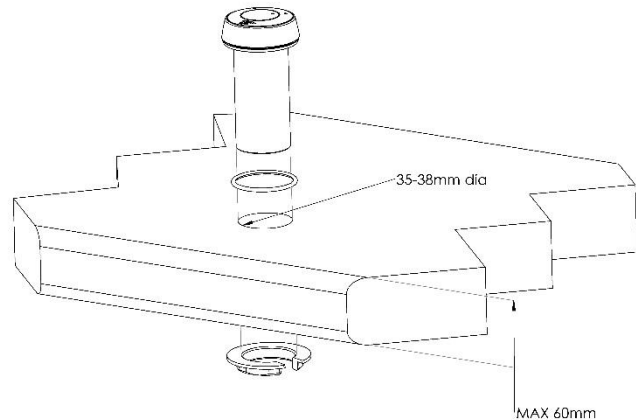


ZENCX

V17.10,1

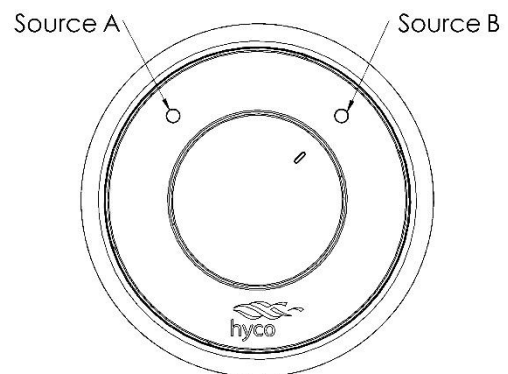
Thank you purchasing a Hyco Zen Crossover Valve. The valve is ideal for maximising the potential of your kitchen tap by allowing a secondary source of cold water such as filtered, chilled or sparkling to be dispensed from the cold outlet (not suitable for boiling). Please read and understand these instructions before commencing installation and leave them with the user upon completion.

- Decide the location.
- Make a hole in the surface (min 35 max 38mm).
- Insert the valve into the hole and clamp to the surface as shown.



- Choose the supply source for Inlet A & B and connect using the supplied flexible.
- Additional fittings are supplied to reduce the inlet hoses down to ¼" push fit tubing if required.
- Connect the outlet to the desired tap.

- To switch between the water sources dispensed from the tap, turn the dial so that the centre mark points to the supply desired.



Hyco Manufacturing Ltd
 Normandy Court
 Express Way
 Castleford, WF10 5NR

T 01924 225200
 F 01924 225210
 E sales@hyco.co.uk

hyco.co.uk